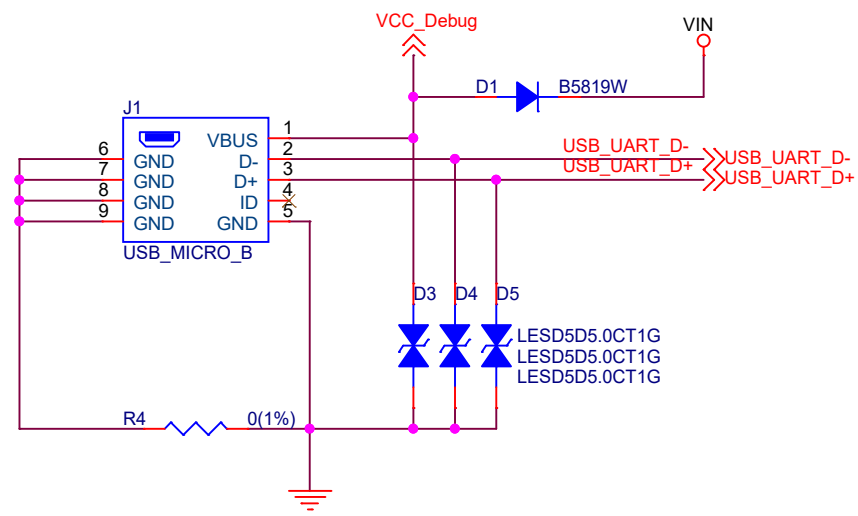
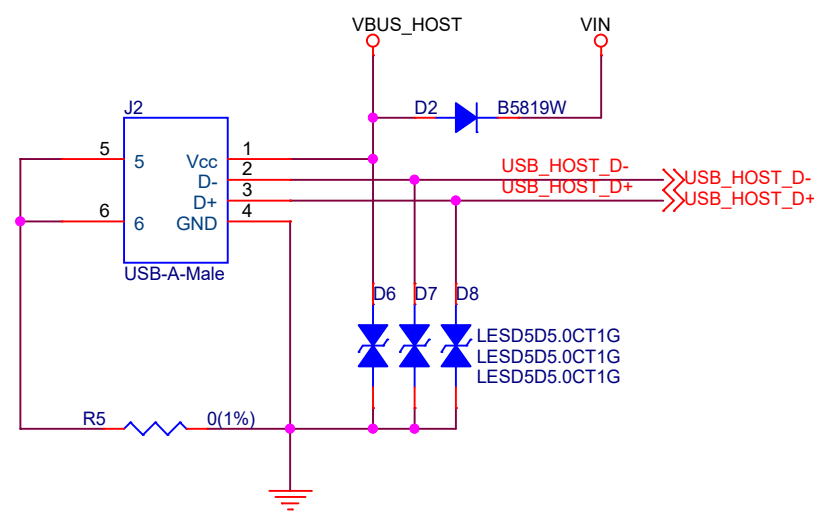


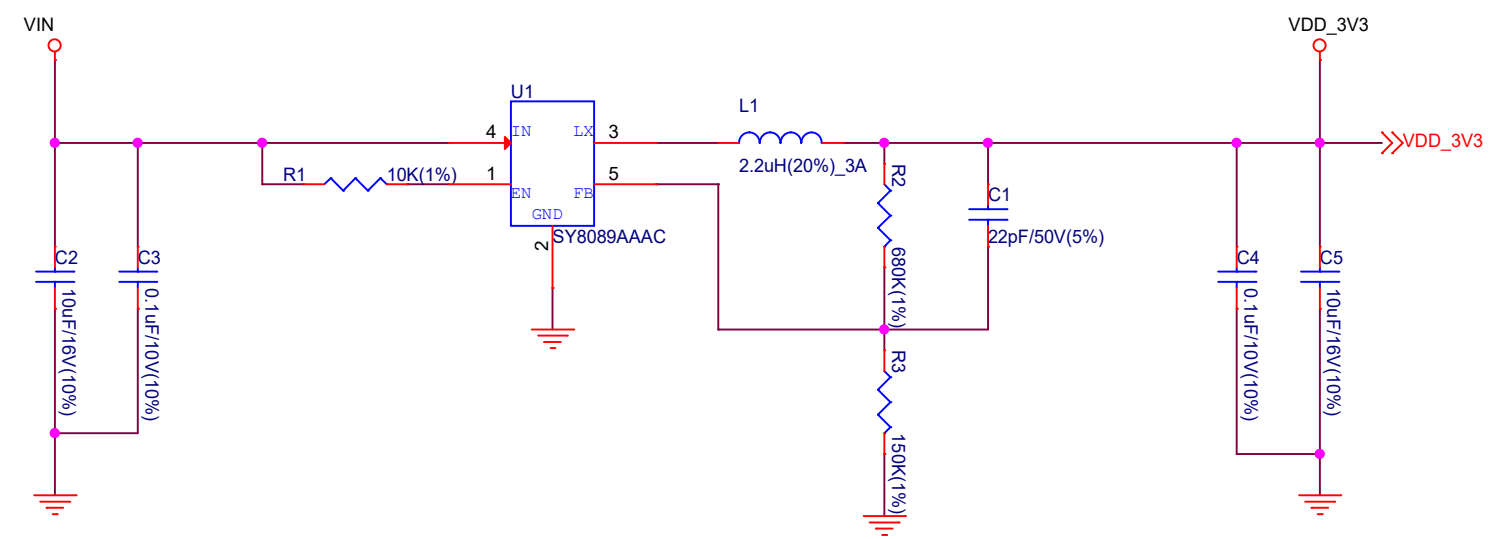
### USB-Micro-B Debug:



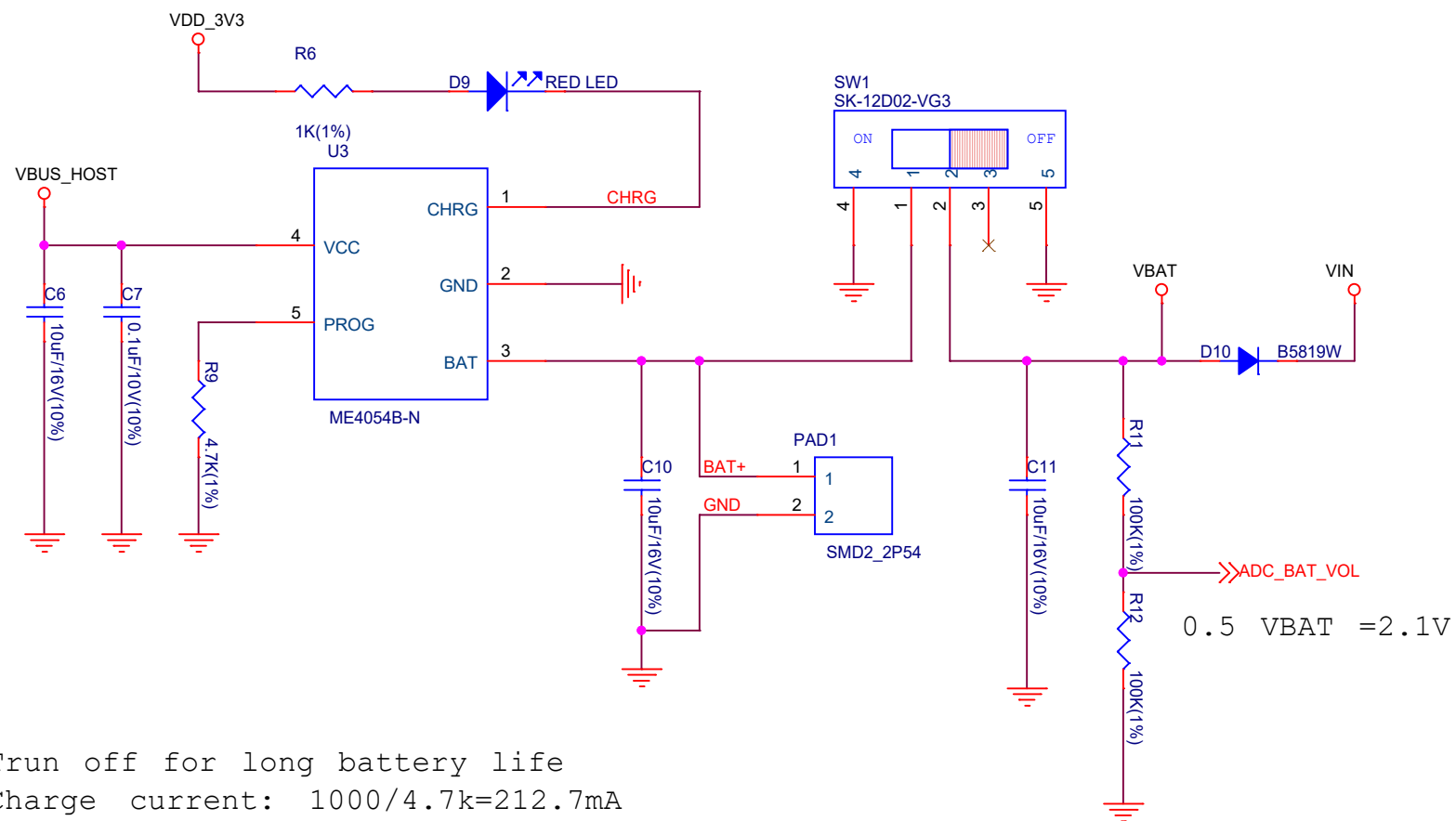
### USB-A-Male to PC:



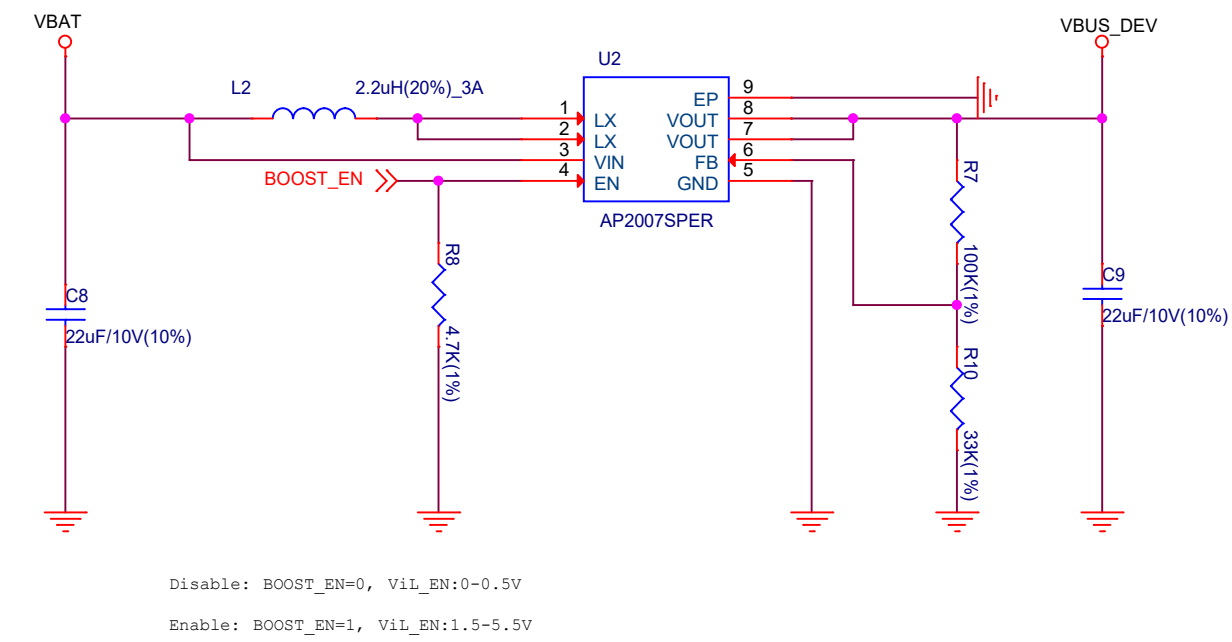
### 3V3 Buck DC/DC



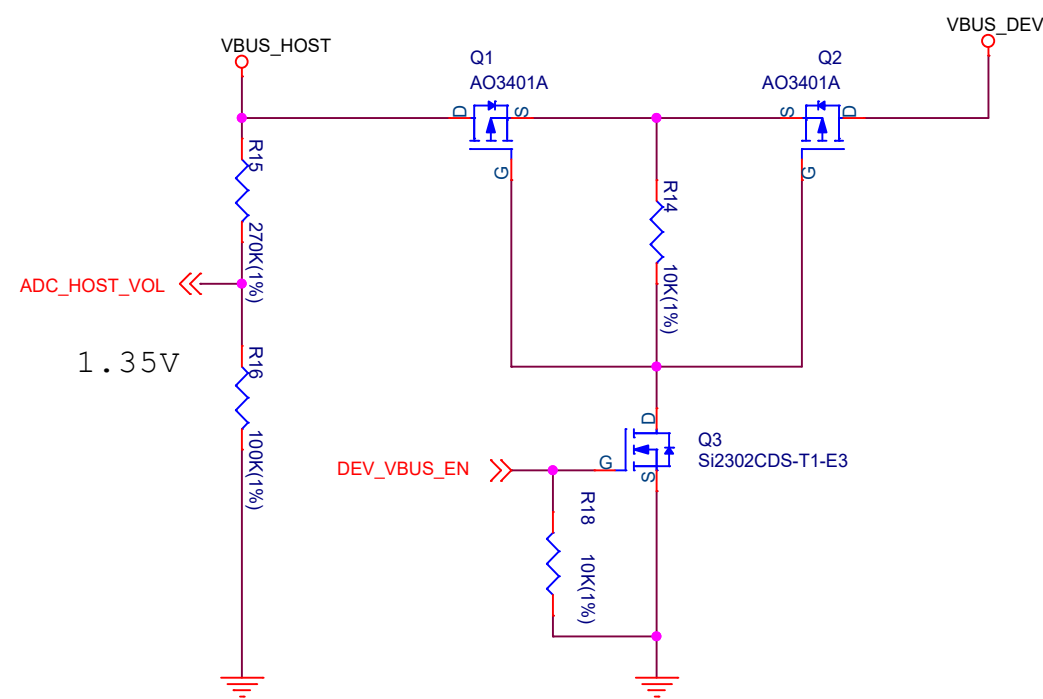
### Charge circuit



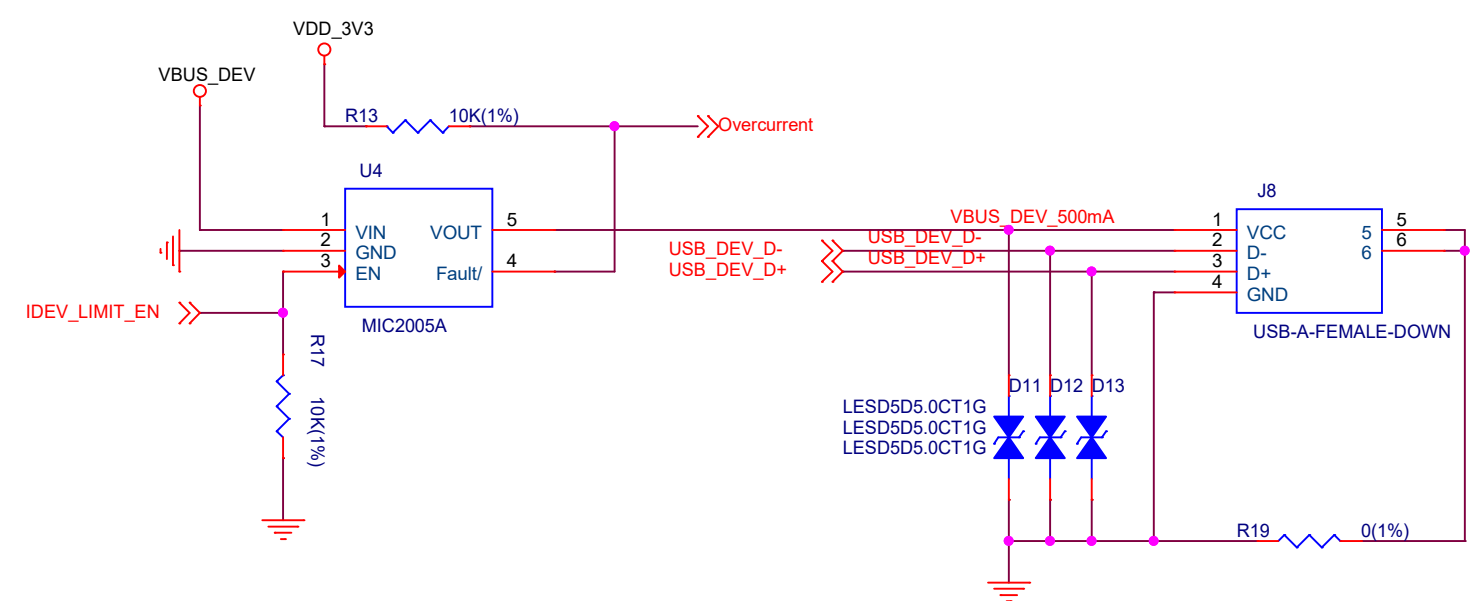
### 5V Boost DC/DC



### VBUS\_DEV 5V Supply selection:

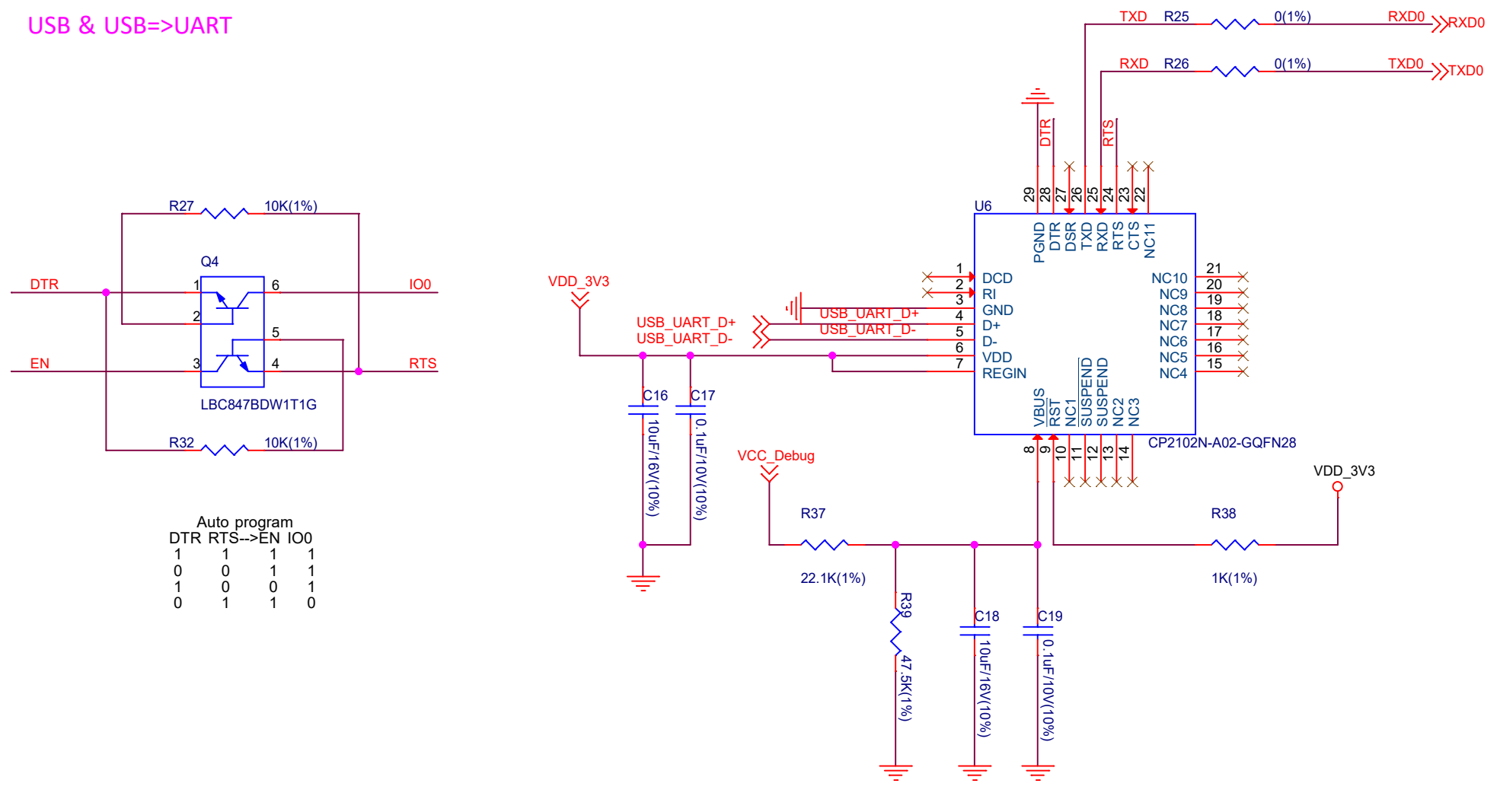


### USB-A-Female to Device & 500mA limit:

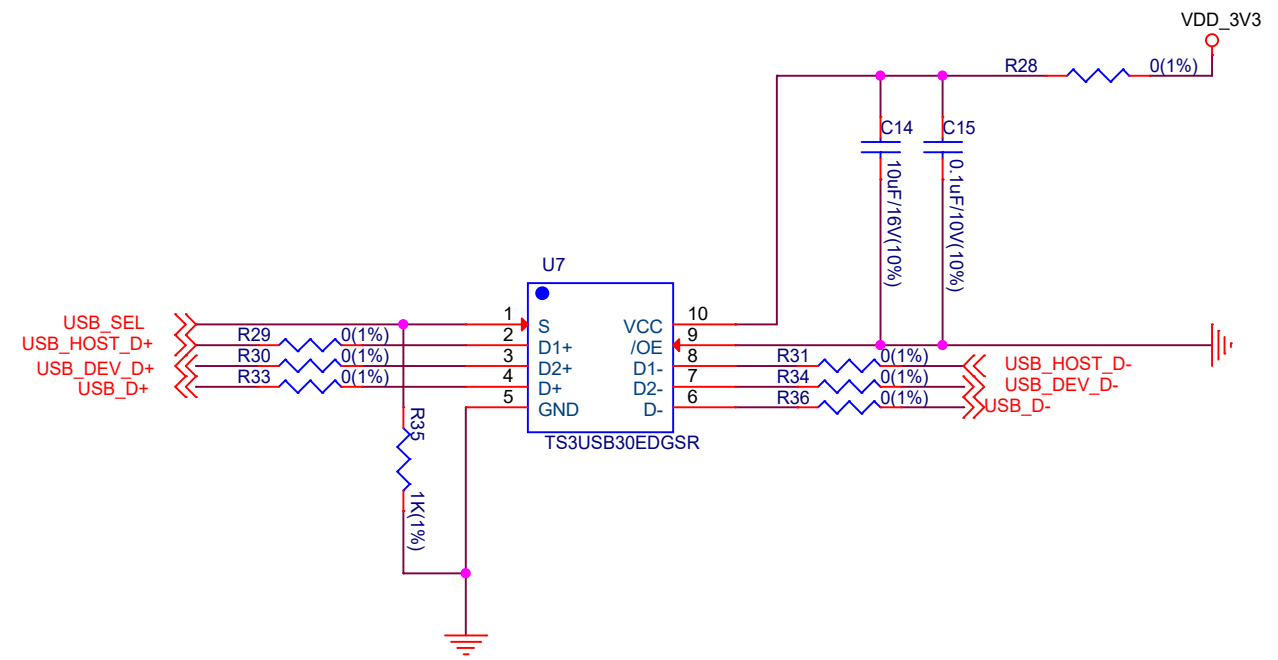




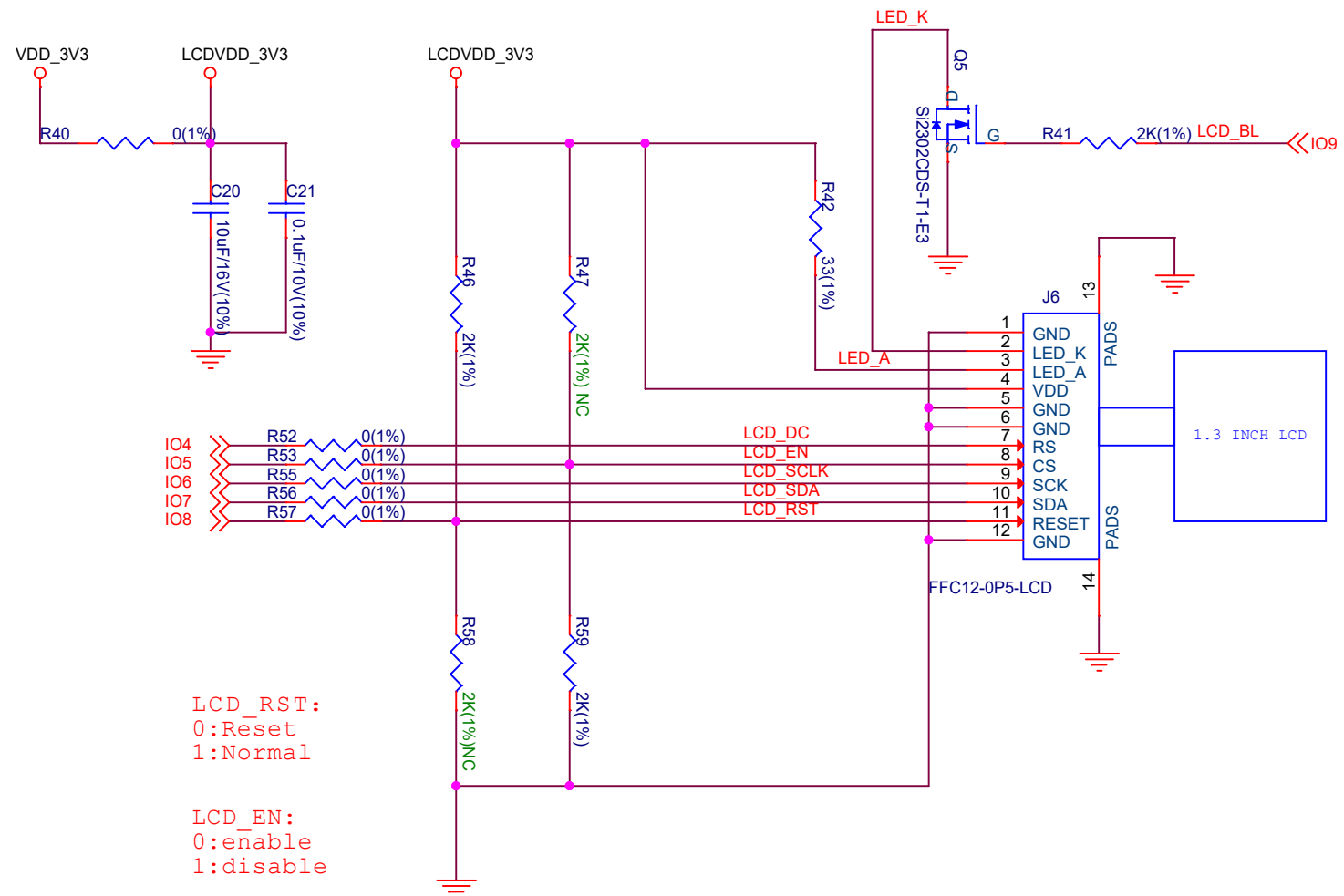
USB & USB=>UART



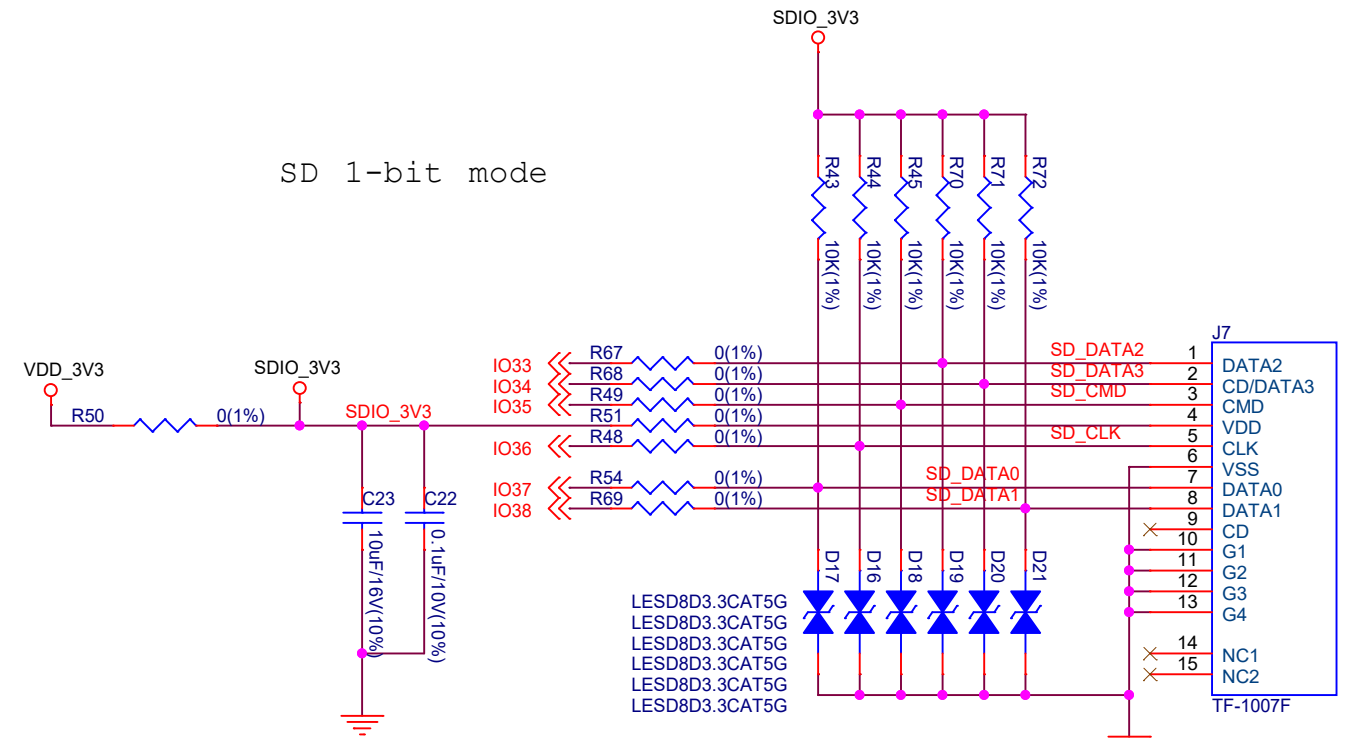
USB Switch:



1.3 INCH LCD:



MicroSD\_CARD:



3x Func SW, BOOT used as Func

