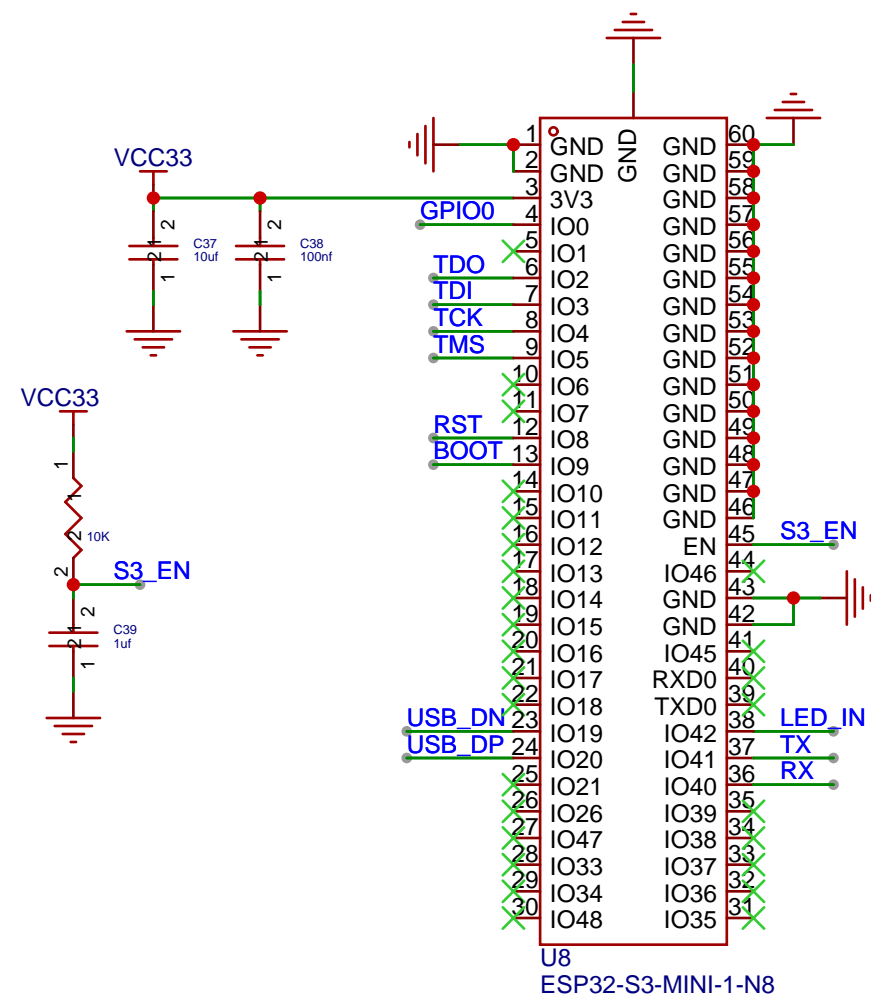
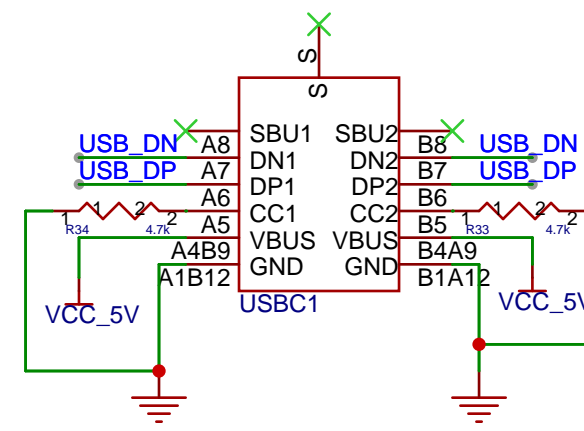


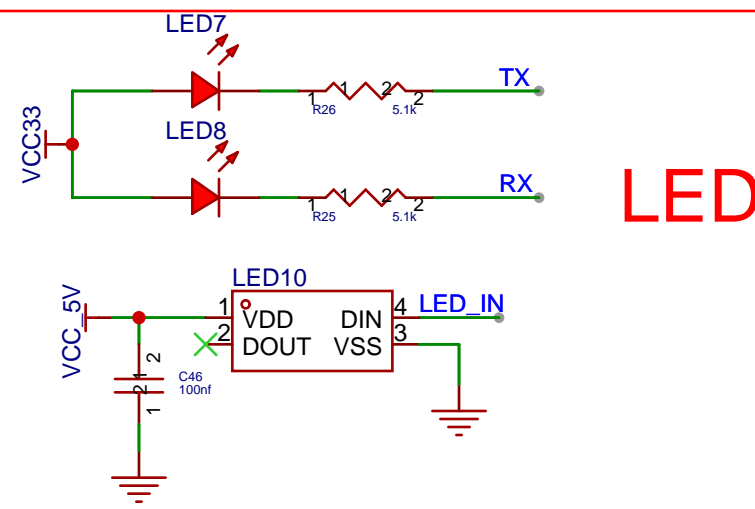
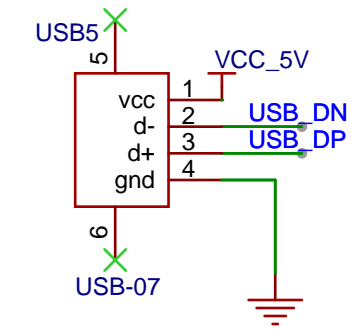
ESP32S3



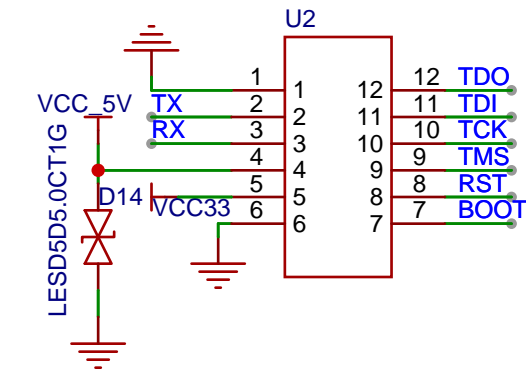
TYPE-C



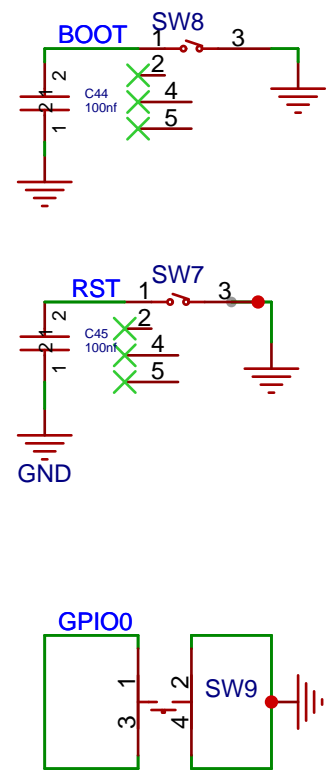
TYPE-A



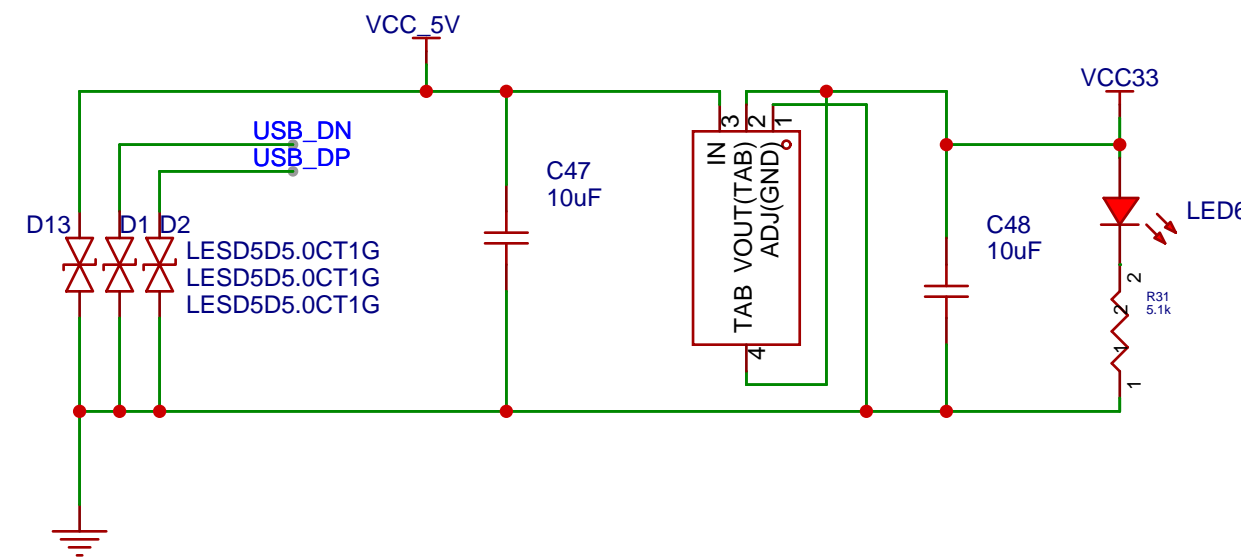
6*2 Bend plug



BUTTON



POWER



Schematic	Schematic_verion2.1	Update Date	2023-06-06				
		Create Date	2023-04-23				
Page	P1	Part Number					
Drawn	esp32-s3-usb-bridge						
Reviewed							
		VER	SIZE	PAGE	1	OF	1
嘉立创EDA		V1.0	A3	嘉立创EDA			