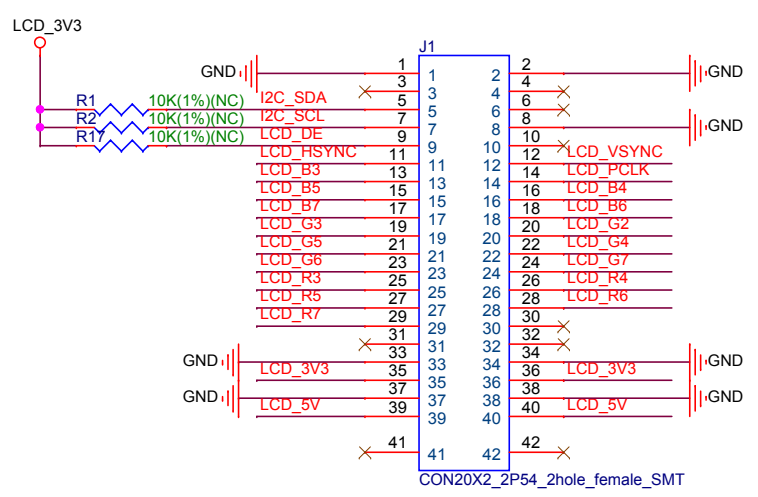
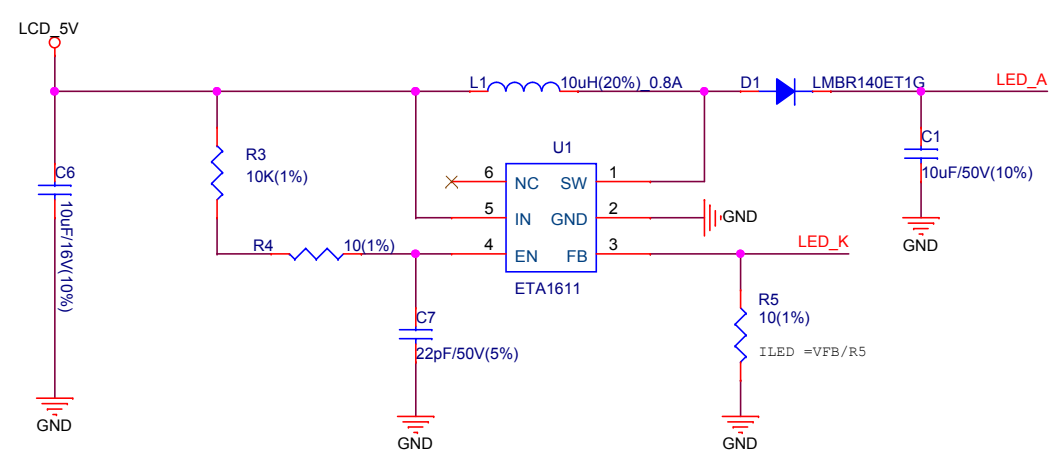


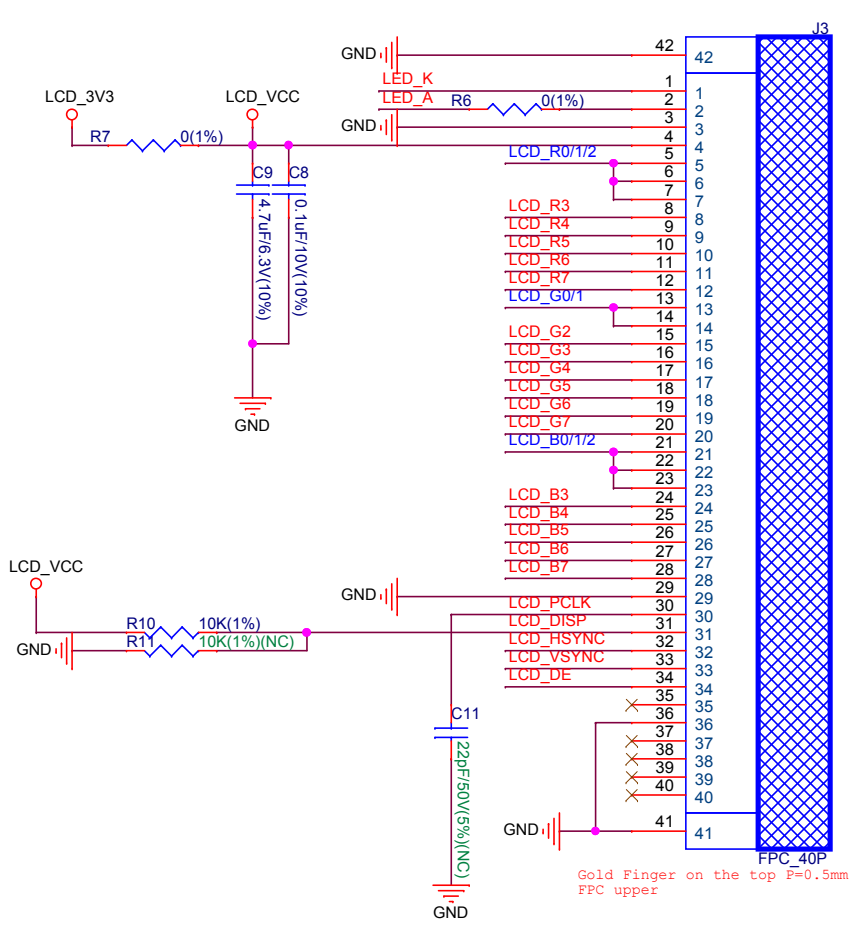
Connector to MB



LCD_BL



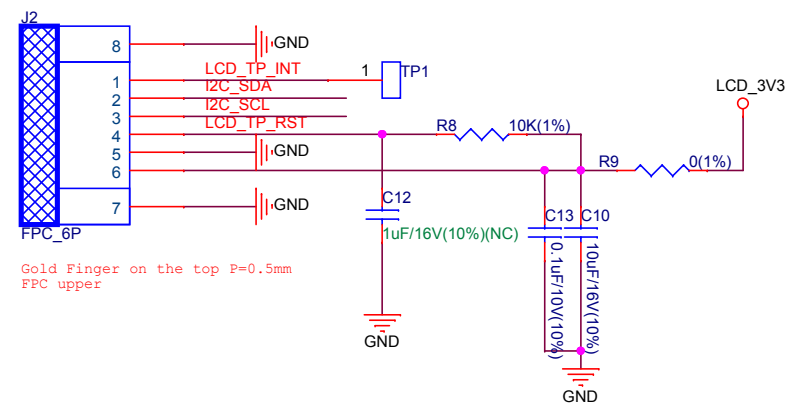
LCD_800X480_4.3 inch_WSK



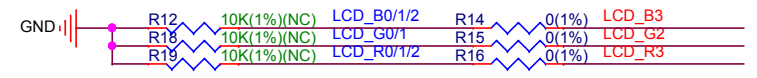
PIN	Symbol
1	K
2	A
3	GND
4	VDD
5	R0
6	R1
7	R2
8	R3
9	R4
10	R5
11	R6
12	R7
13	G0
14	G1
15	G2
16	G3
17	G4
18	G5
19	G6
20	G7
21	B0
22	B1
23	B2
24	B3
25	B4
26	B5
27	B6
28	B7
29	GND
30	PCLK
31	DISP
32	HSYNC
33	VSYNC
34	DEN
35	NC
36	GND
37	XR
38	YD
39	XL
40	YU

CTP interface

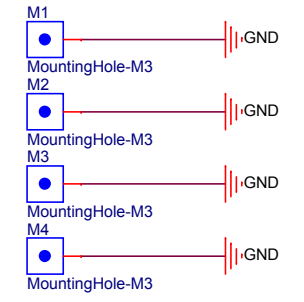
PIN	Symbol
1	INT
2	SDA
3	SCL
4	RST
5	GND
6	VDD



Unused LCD DATA



Support Holes



ESPRESSIF
 乐鑫信息科技(上海)股份有限公司
 Title: ESP32-S3-LCD_Ev_Board_SUB3
 Size B Page Name LCD Rev 1.0 Confidential and Proprietary
 Date: Thursday, June 16, 2022 Sheet 1 of 1