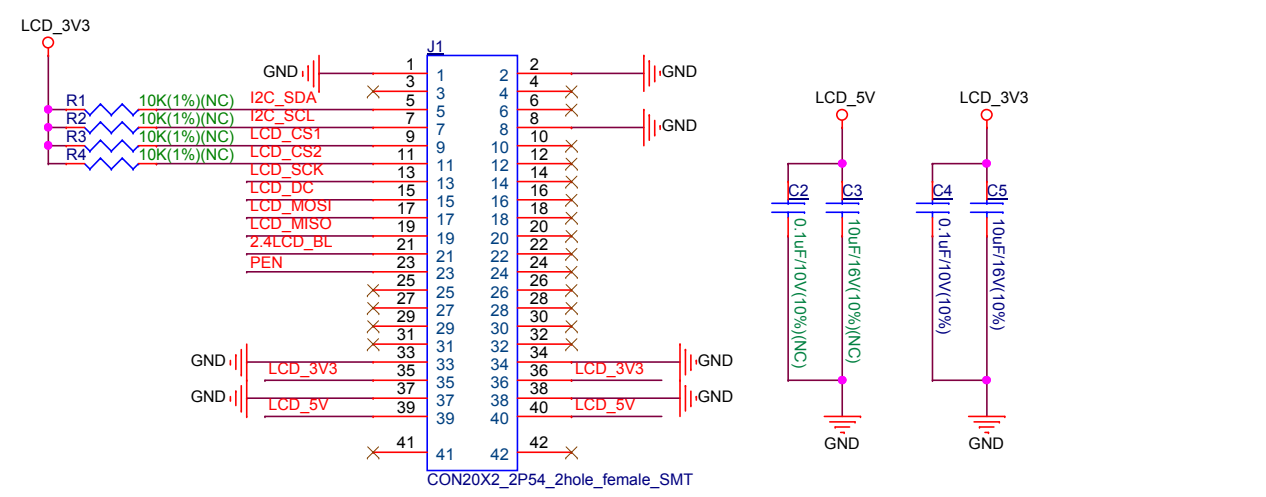
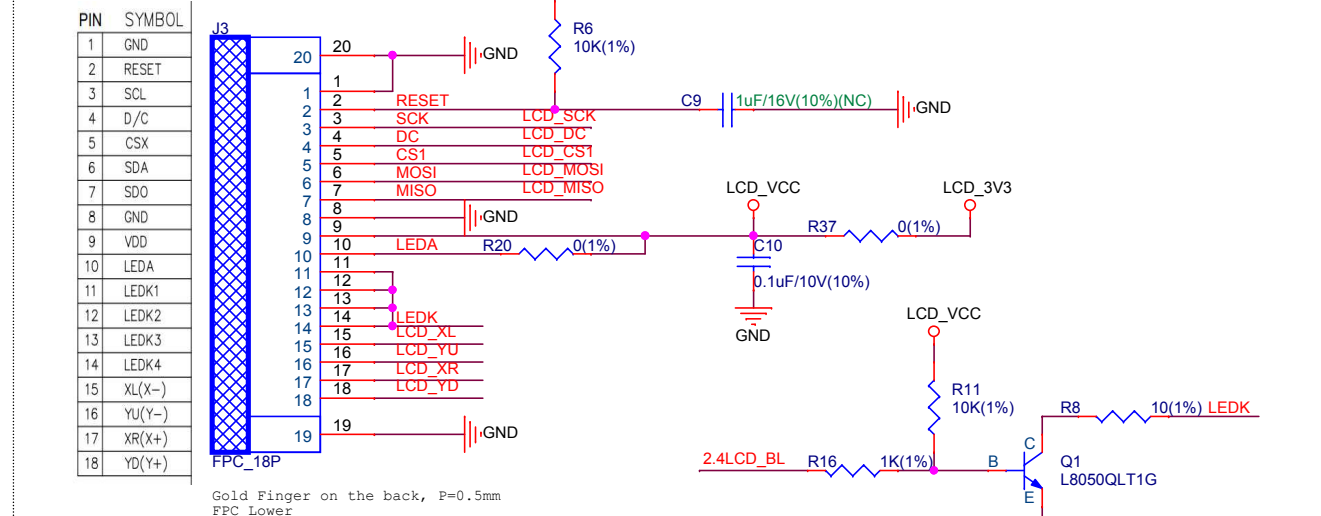


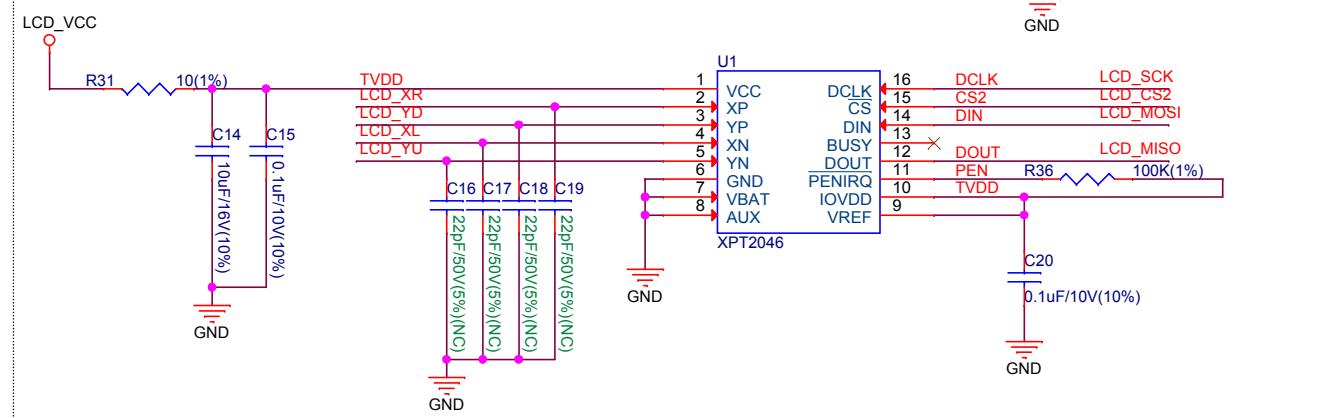
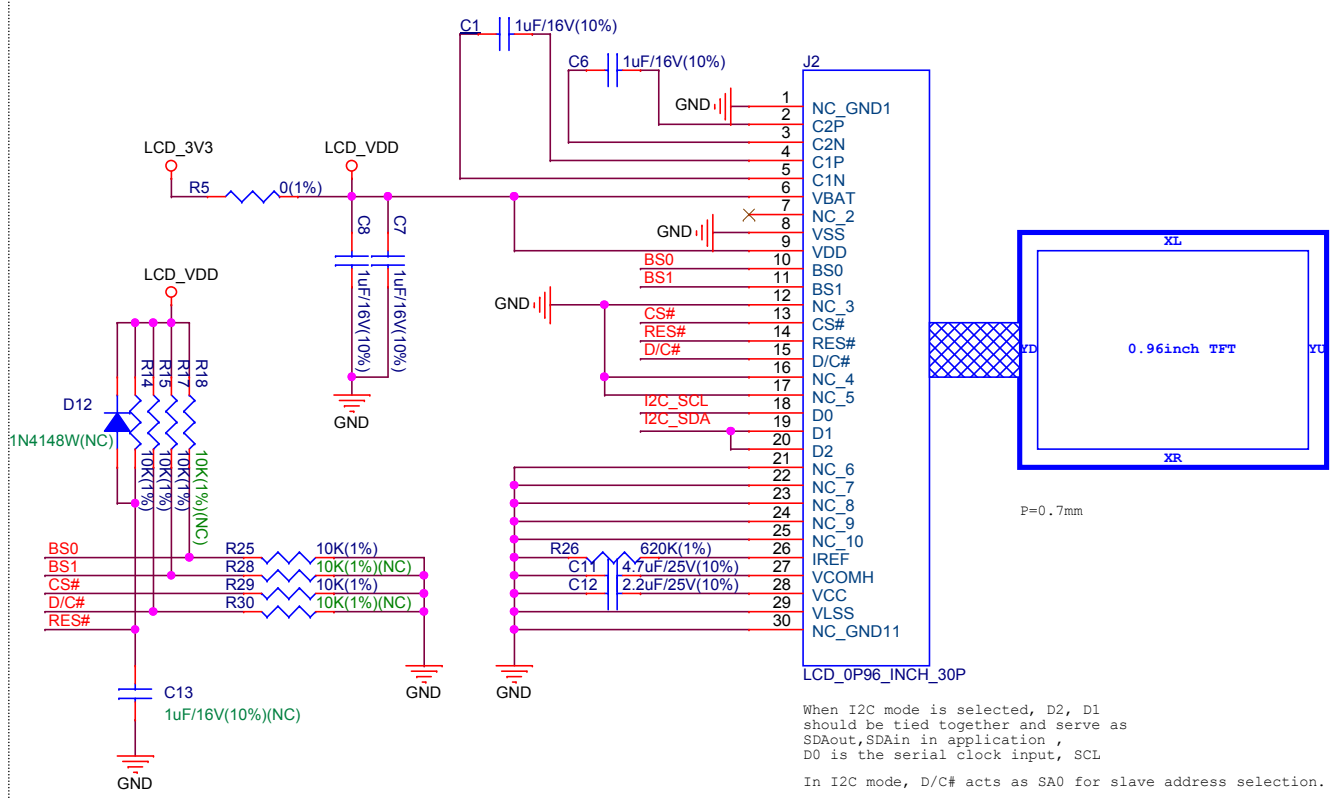
Connector to MB



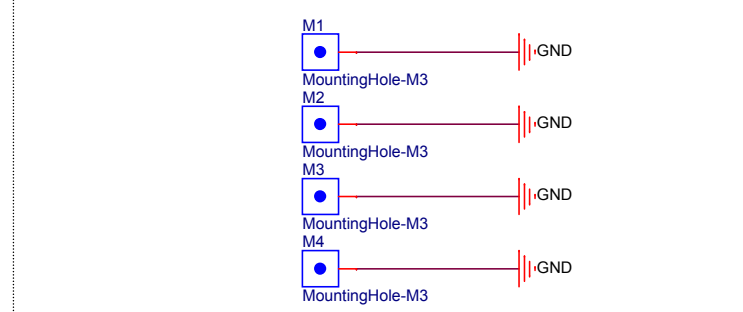
2.4 inch LCD



0.96 inch LCD



Support Board Holes



When I2C mode is selected, D2, D1 should be tied together and serve as SDAout,SDAin in application, D0 is the serial clock input, SCL. In I2C mode, D/C# acts as SA0 for slave address selection.

ESPRESSIF			
乐鑫信息科技(上海)股份有限公司			
Title: ESP32-S3-LCD_Ev_Board_SUB1			
Size B	Page Name: 01_LCD	Rev: 1.0	Confidential and Proprietary
Date: Friday, June 17, 2022	Sheet: 1	of: 1	