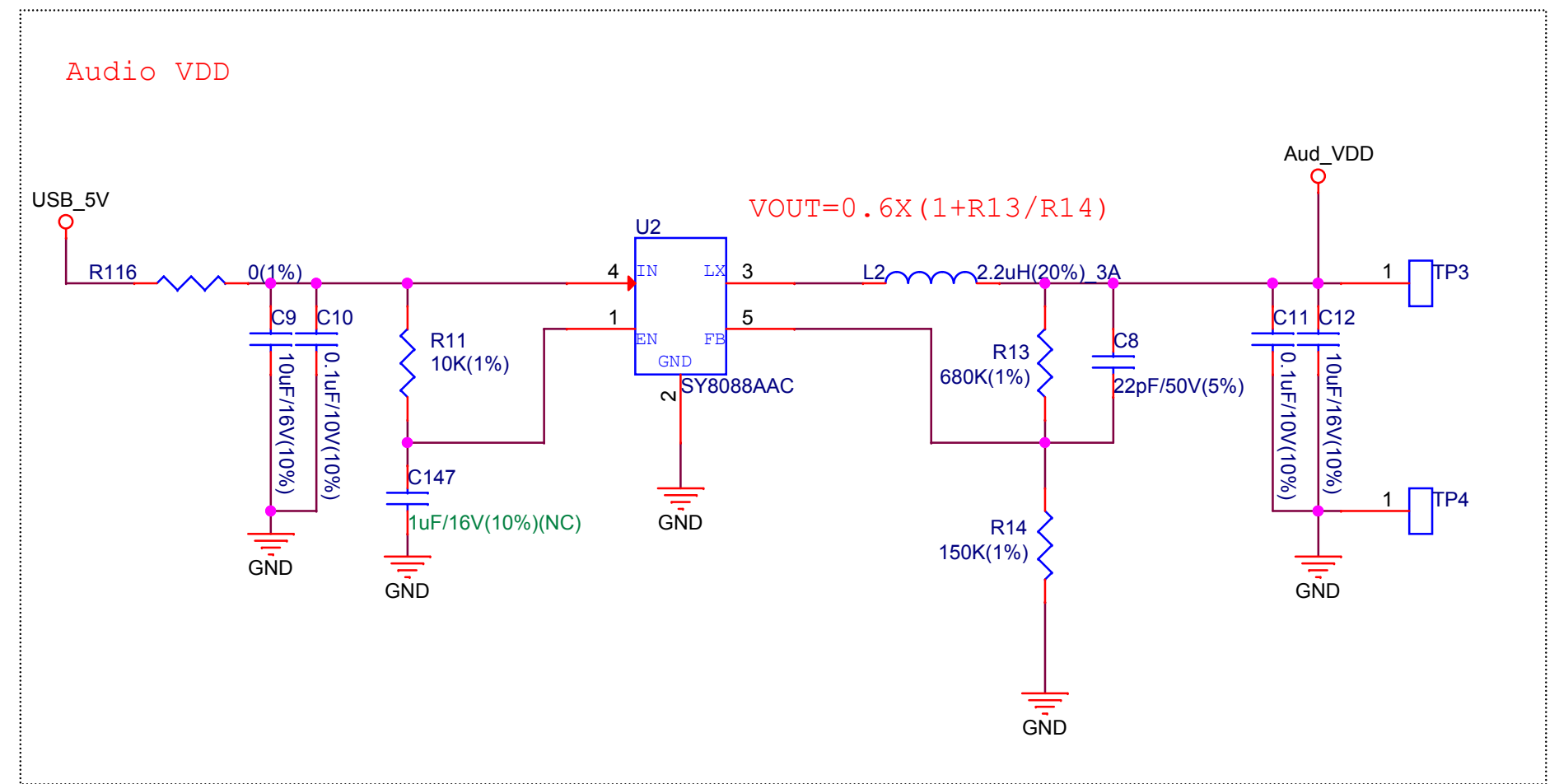
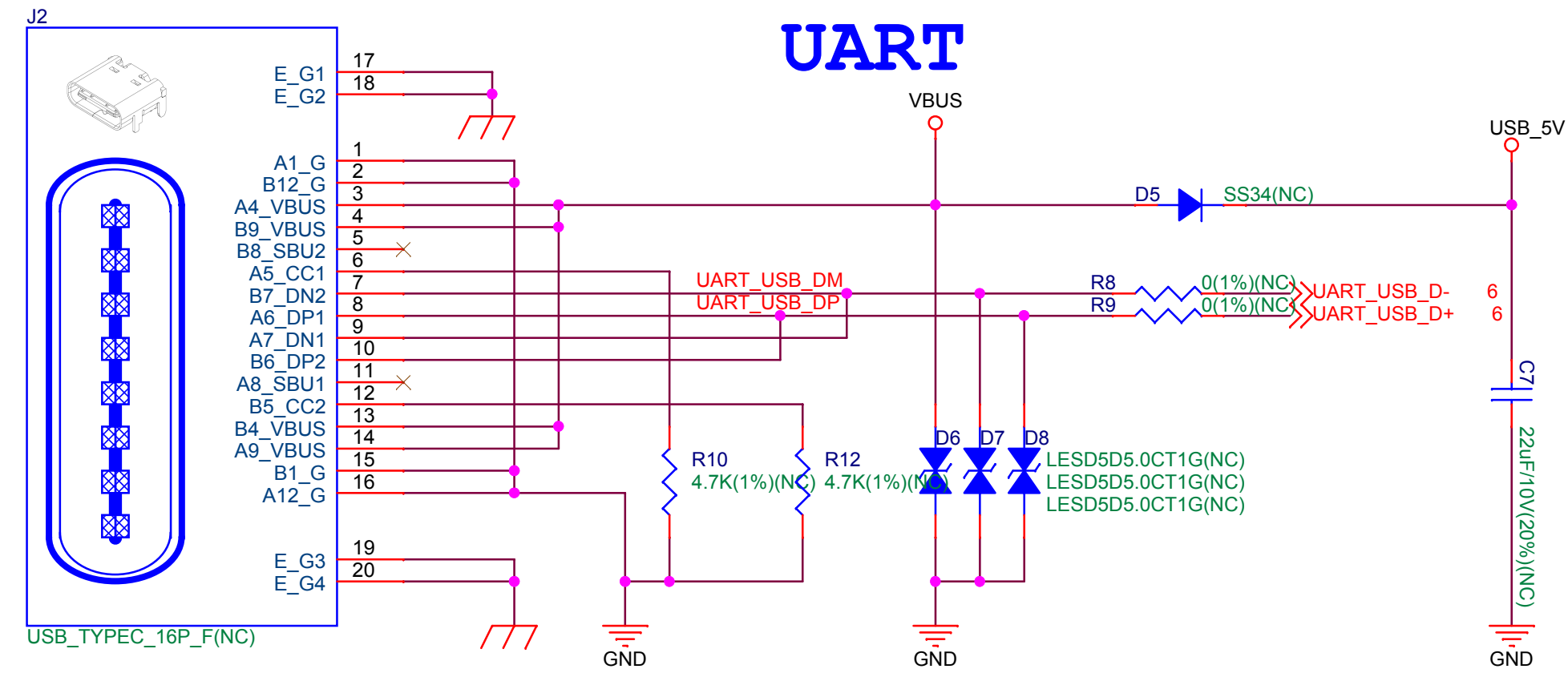
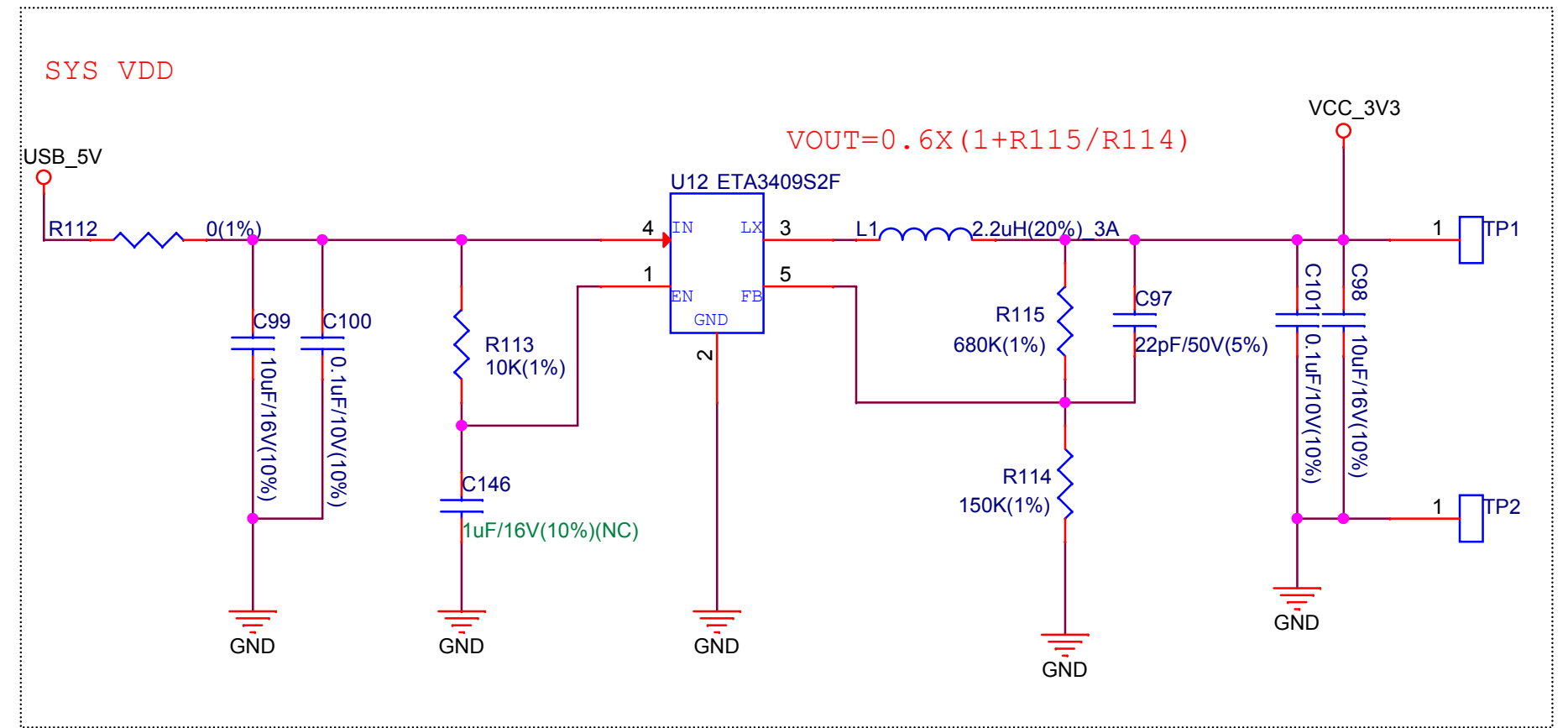
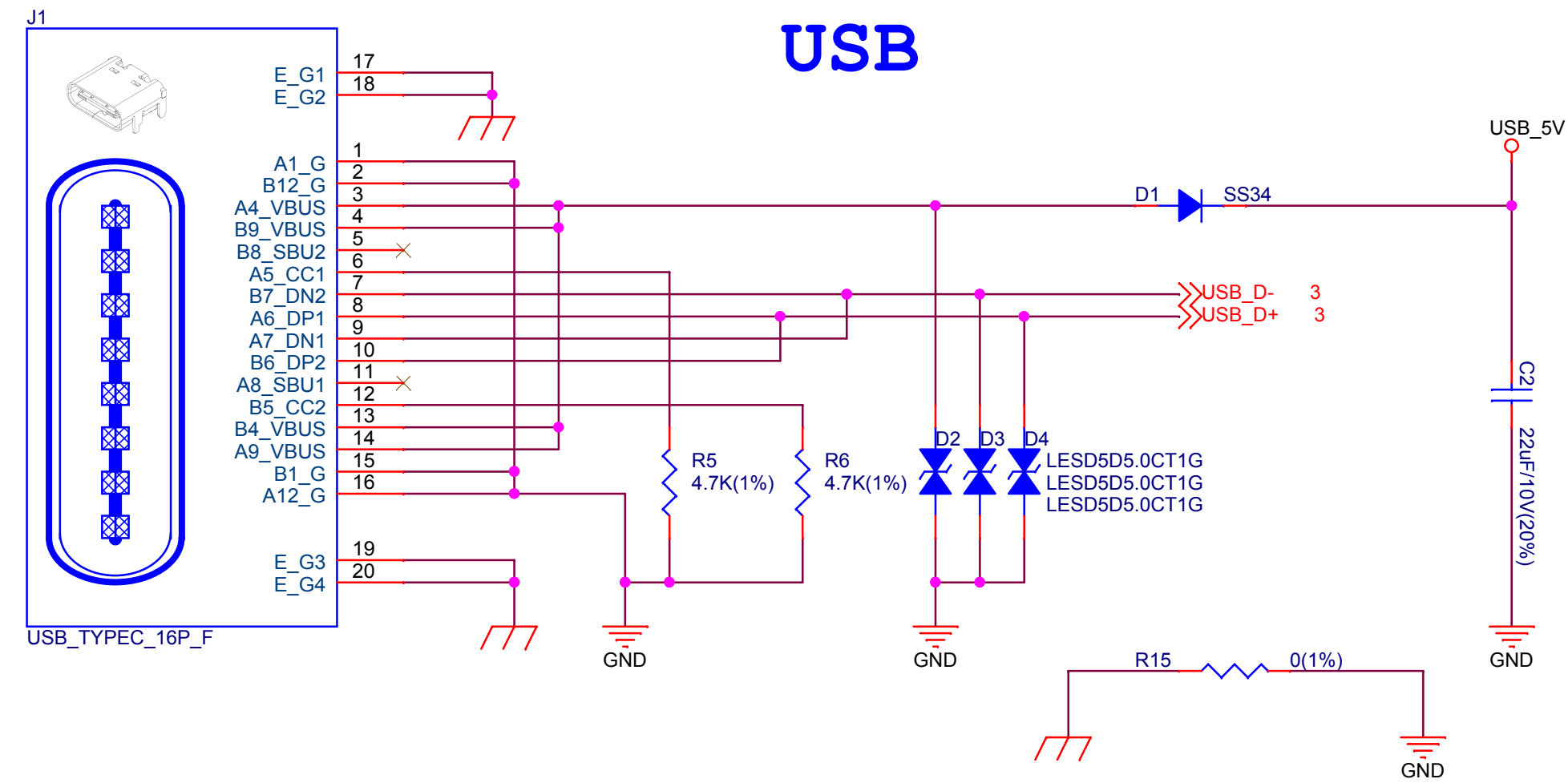
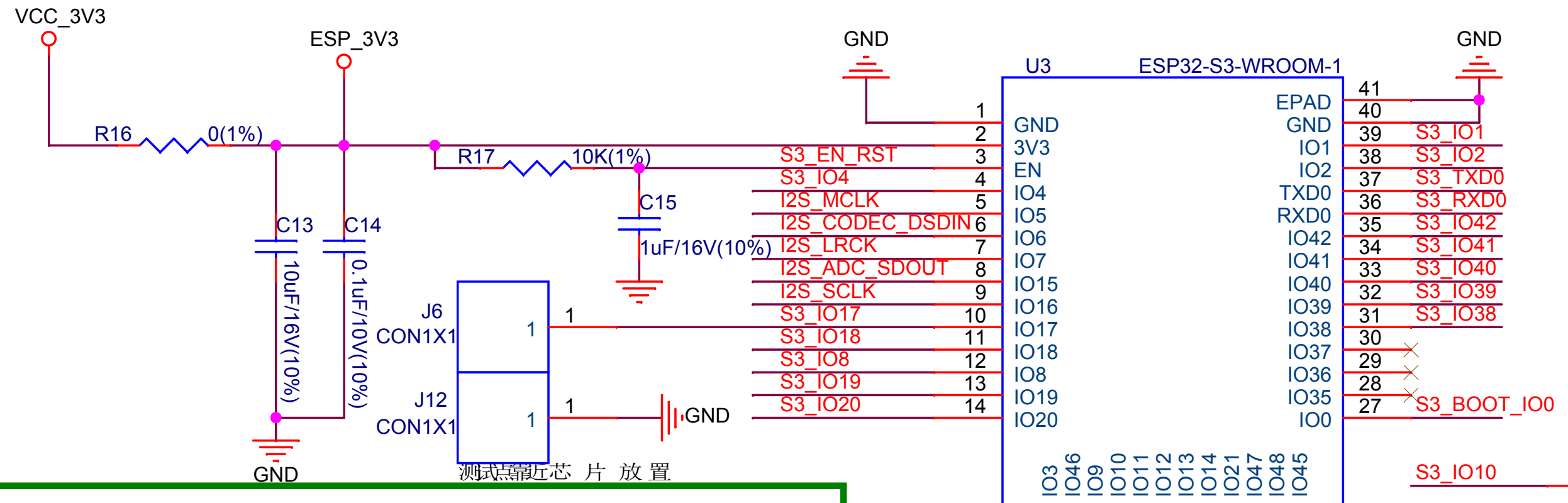


ESPRESSIF			
乐鑫信息科技(上海)股份有限公司			
Title ESP32-S3-LCD-Ev MB			
Size A	Page Name Overview	Rev 1.1	Confidential and Proprietary
Date:	Wednesday, July 13, 2022	Sheet	1 of 7

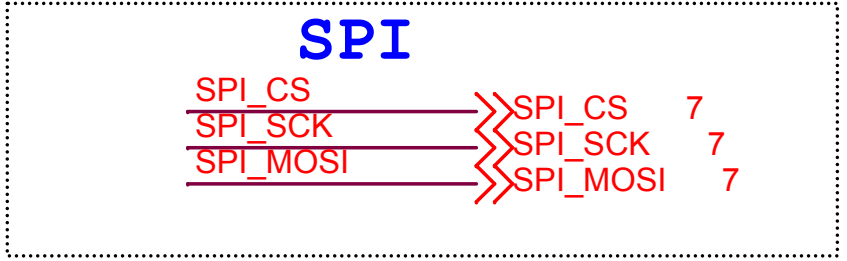
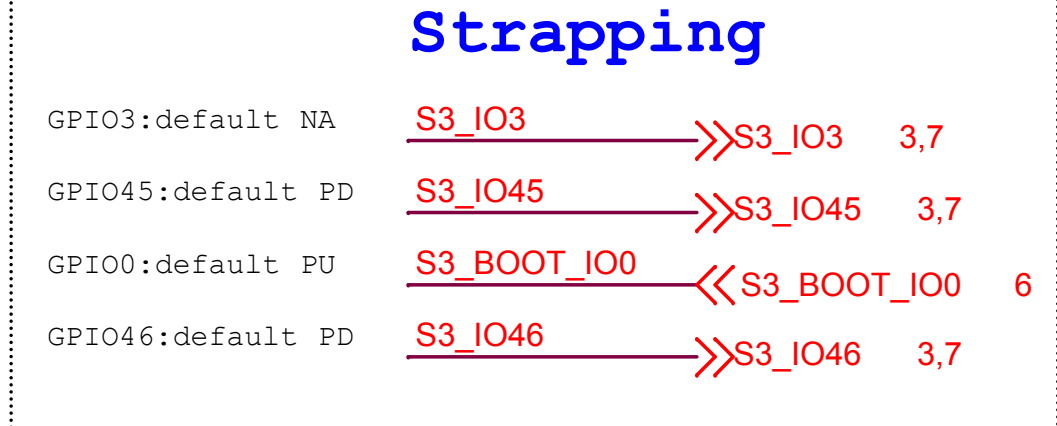
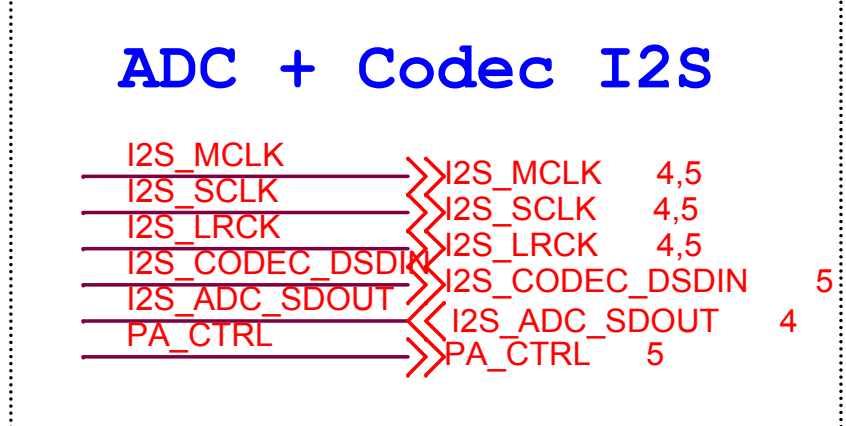
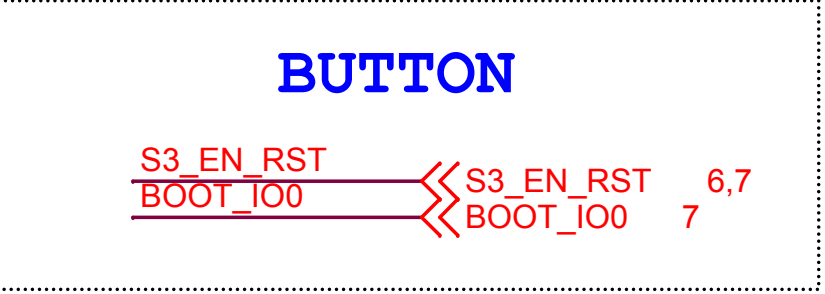
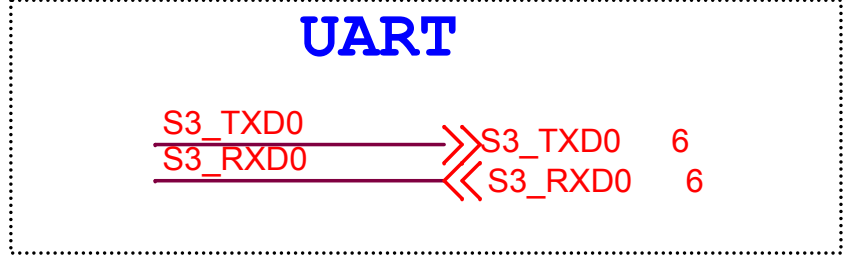
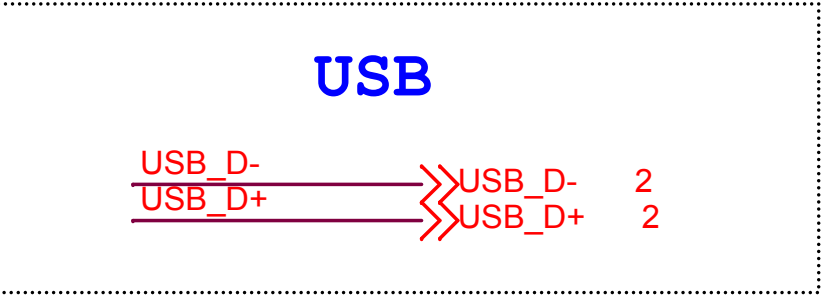
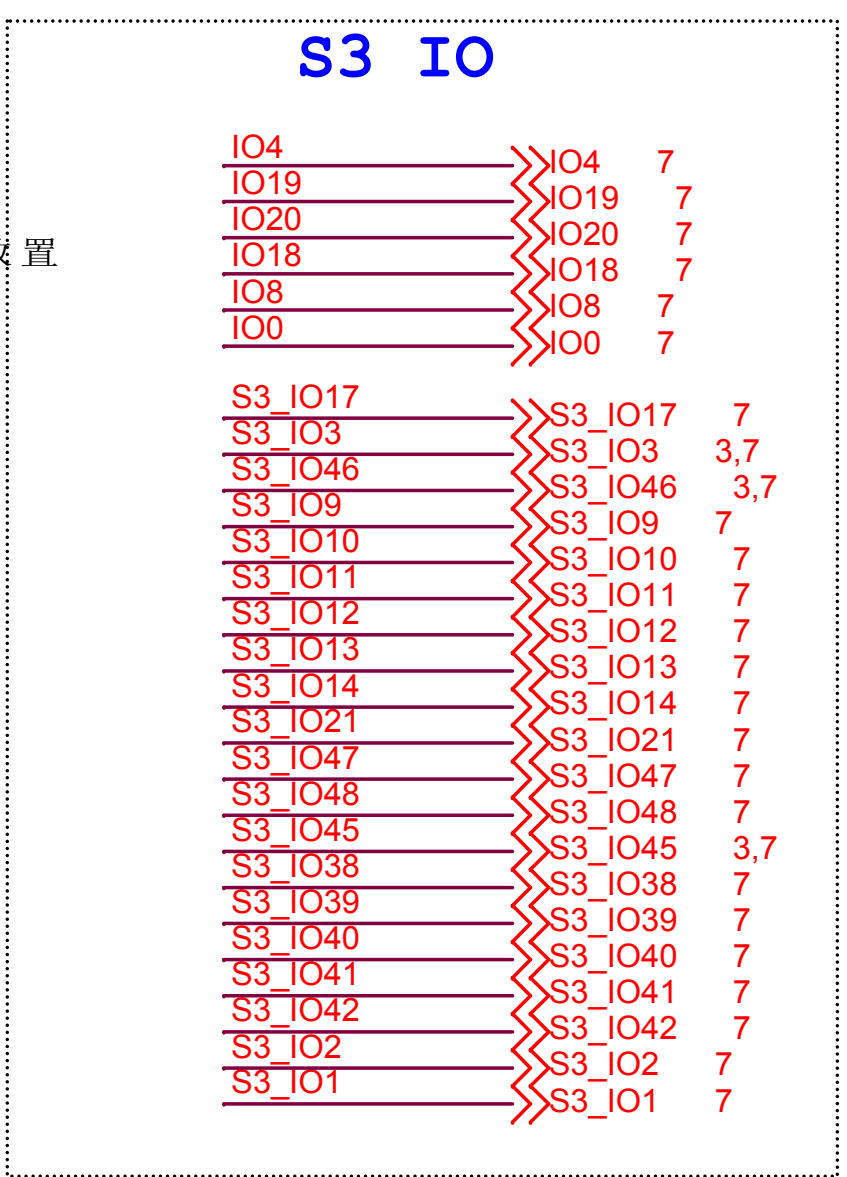
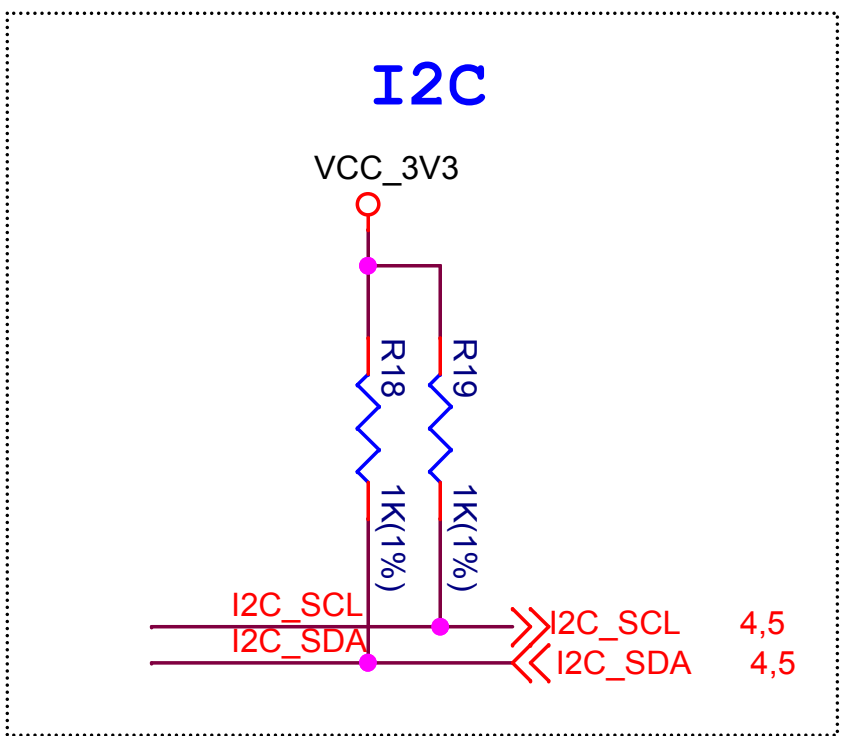
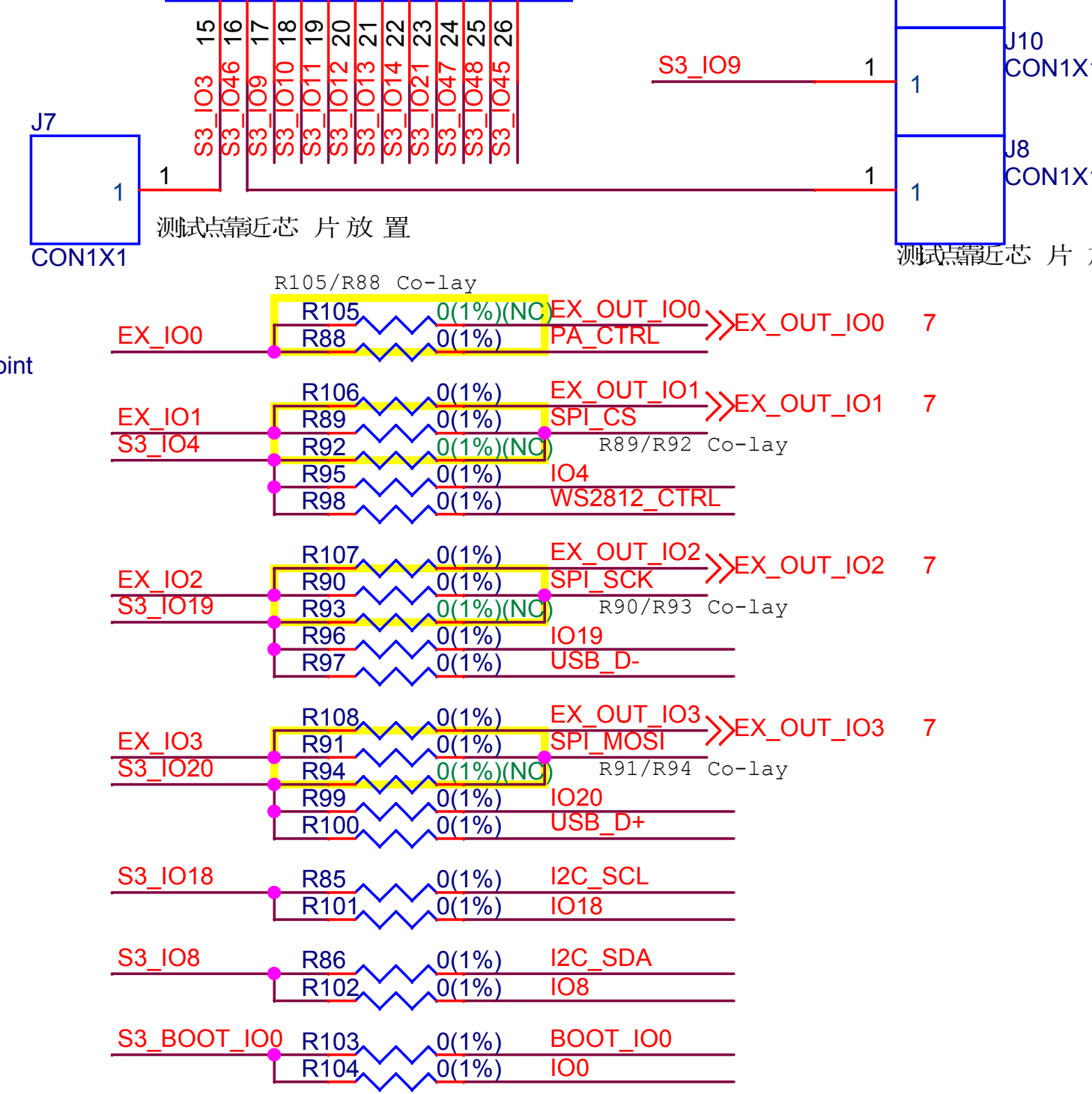
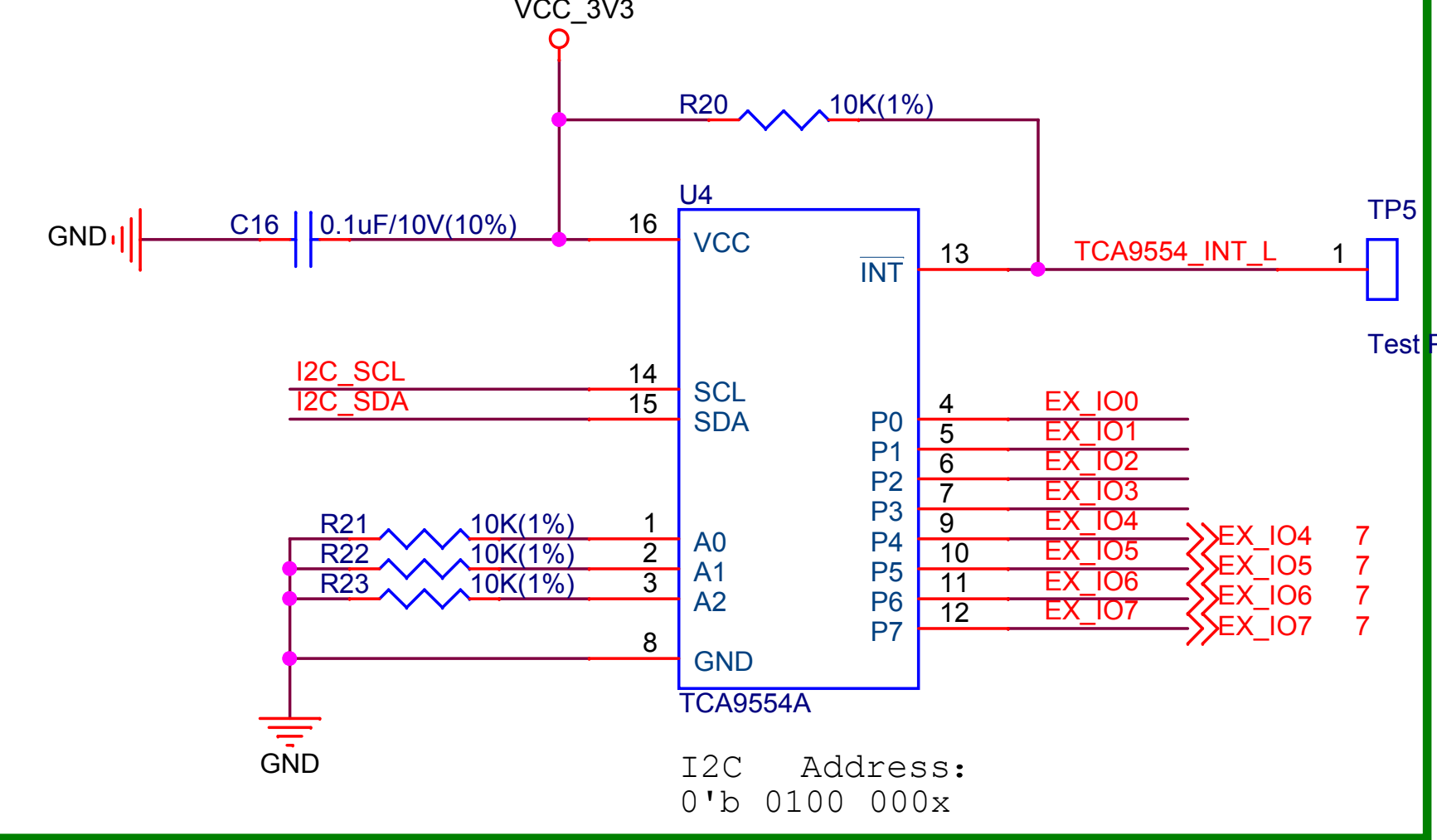


ESPRESSIF			
乐鑫信息科技(上海)股份有限公司			
Title ESP32-S3-LCD-Ev MB			
Size B	Page Name Power	Rev 1.1	Confidential and Proprietary
Date:	Wednesday, July 13, 2022	Sheet	2 of 7

MCU



I/O Expander:

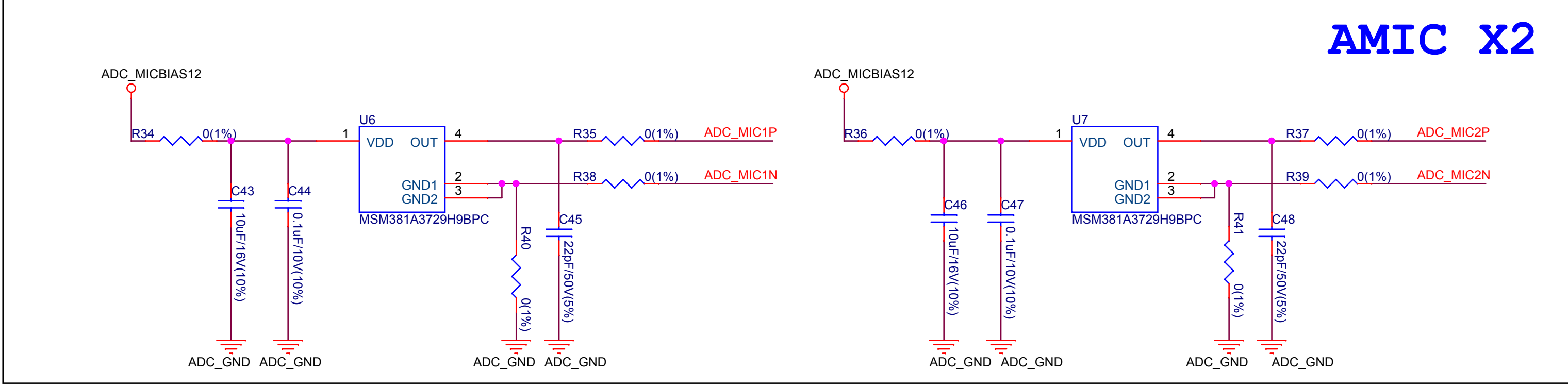
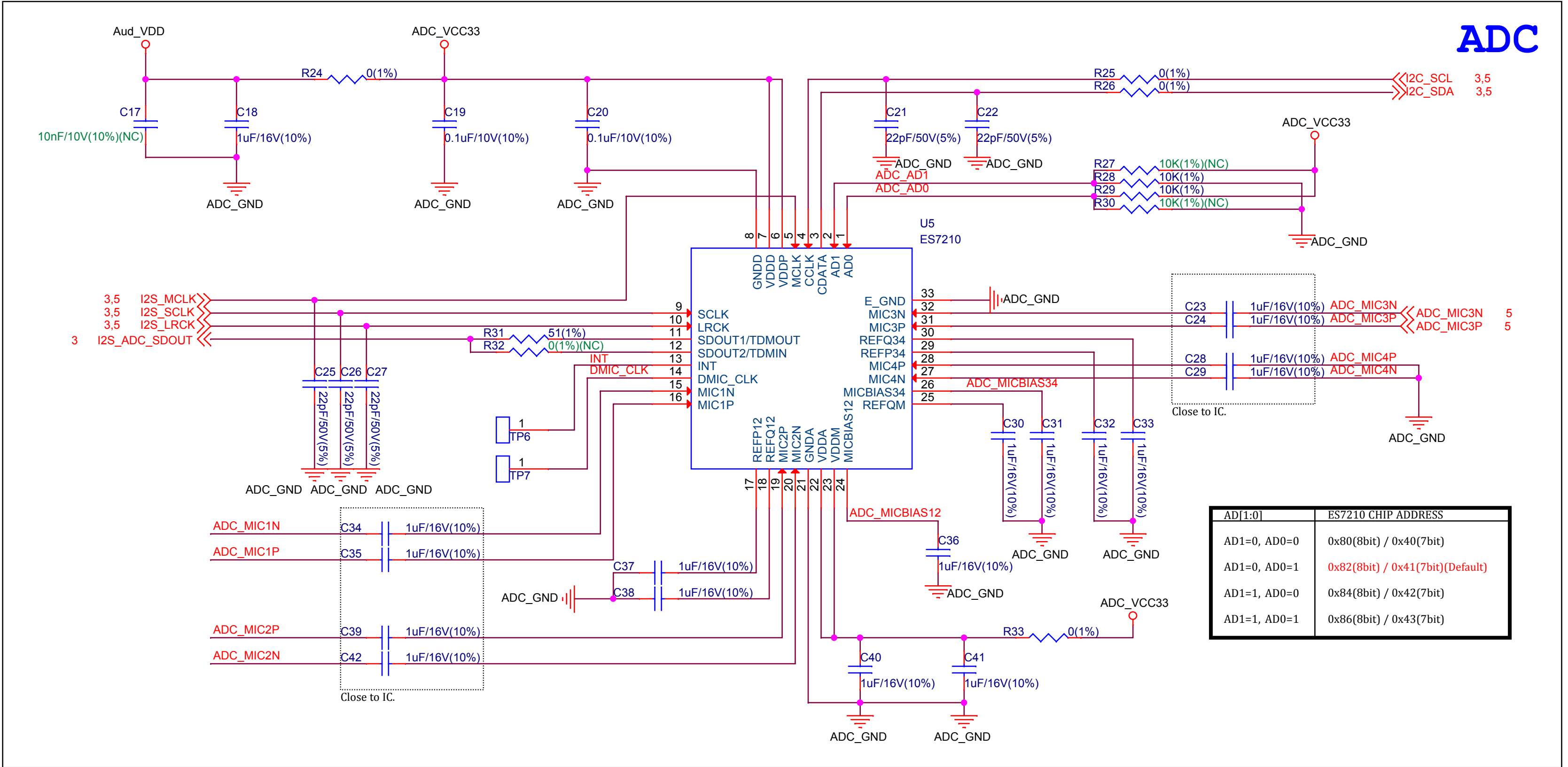


ESPRESSIF

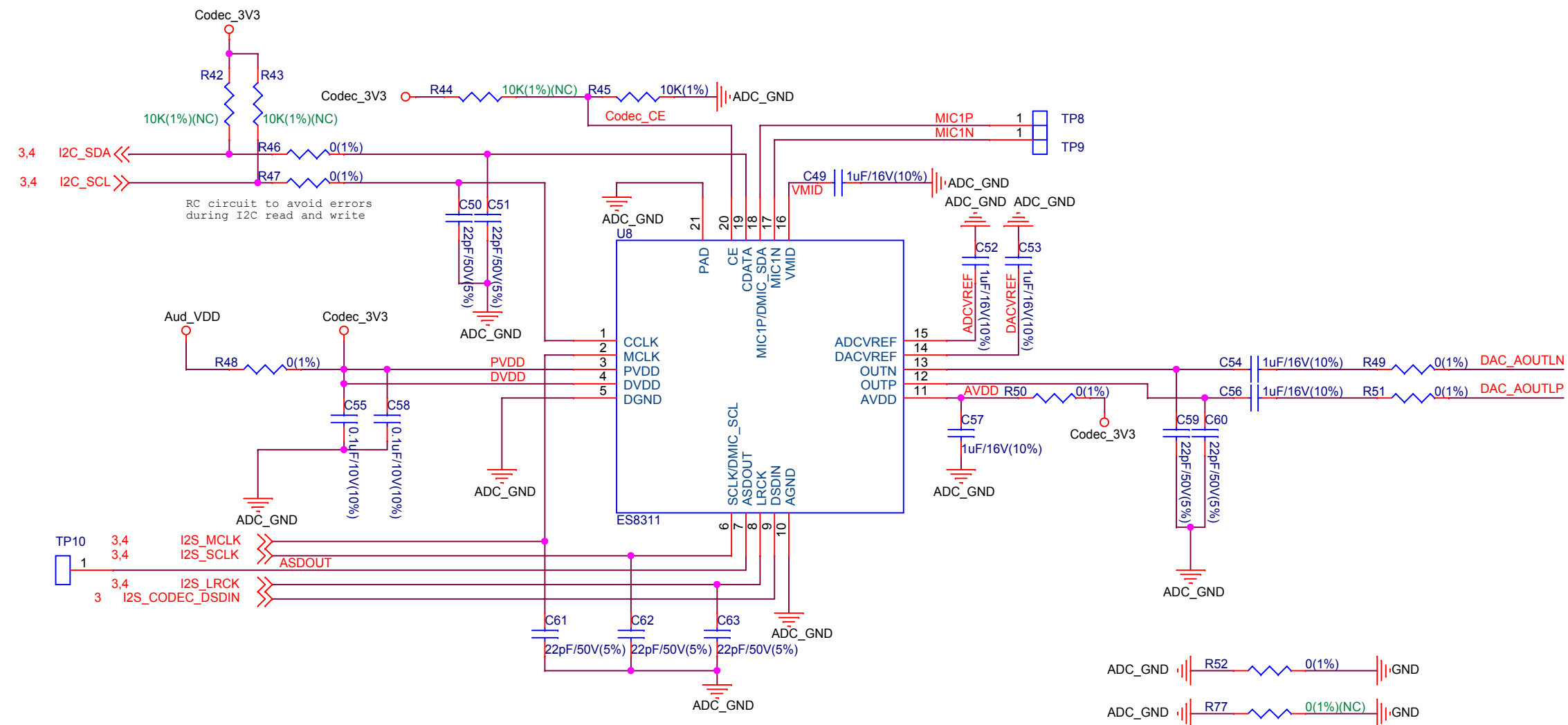
乐鑫信息科技(上海)股份有限公司

Title: ESP32-S3-LCD-EV MB

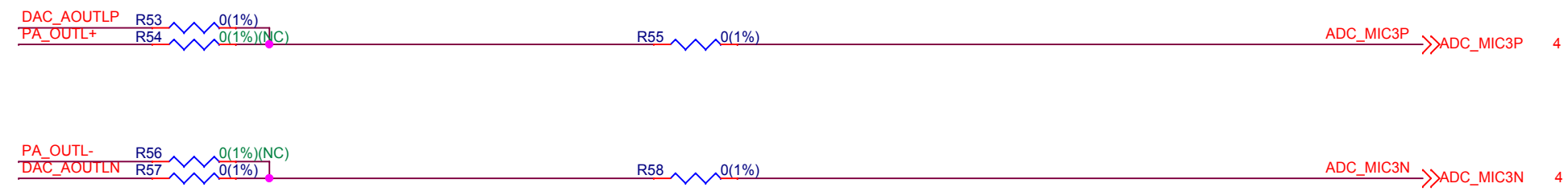
Size: A4	Page Name: Module	Rev: 1.1	Confidential and Proprietary
Date: Wednesday, July 13, 2022	Sheet: 3 of 7		



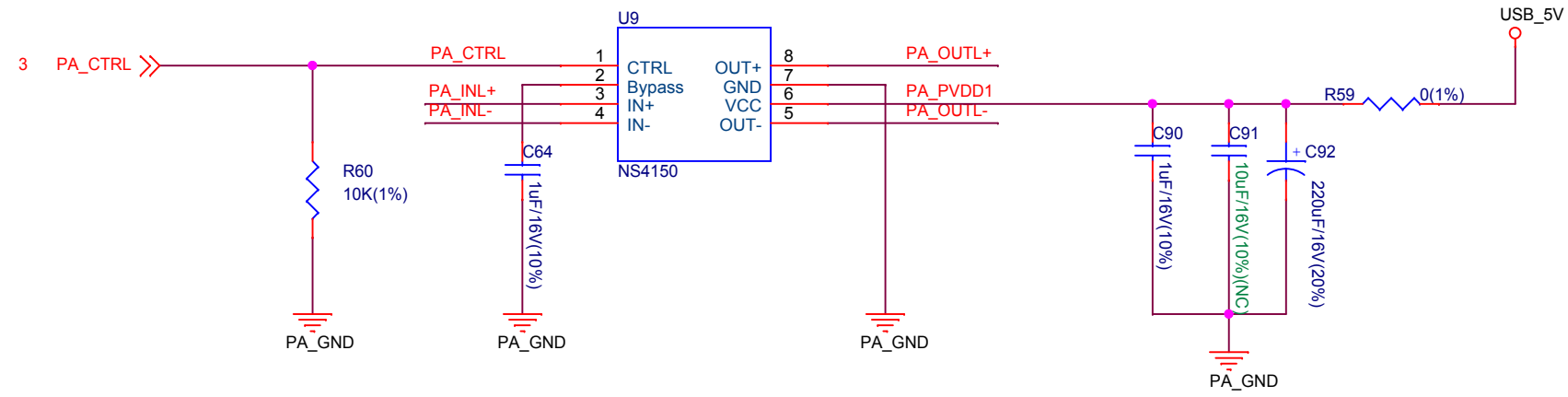
Codec



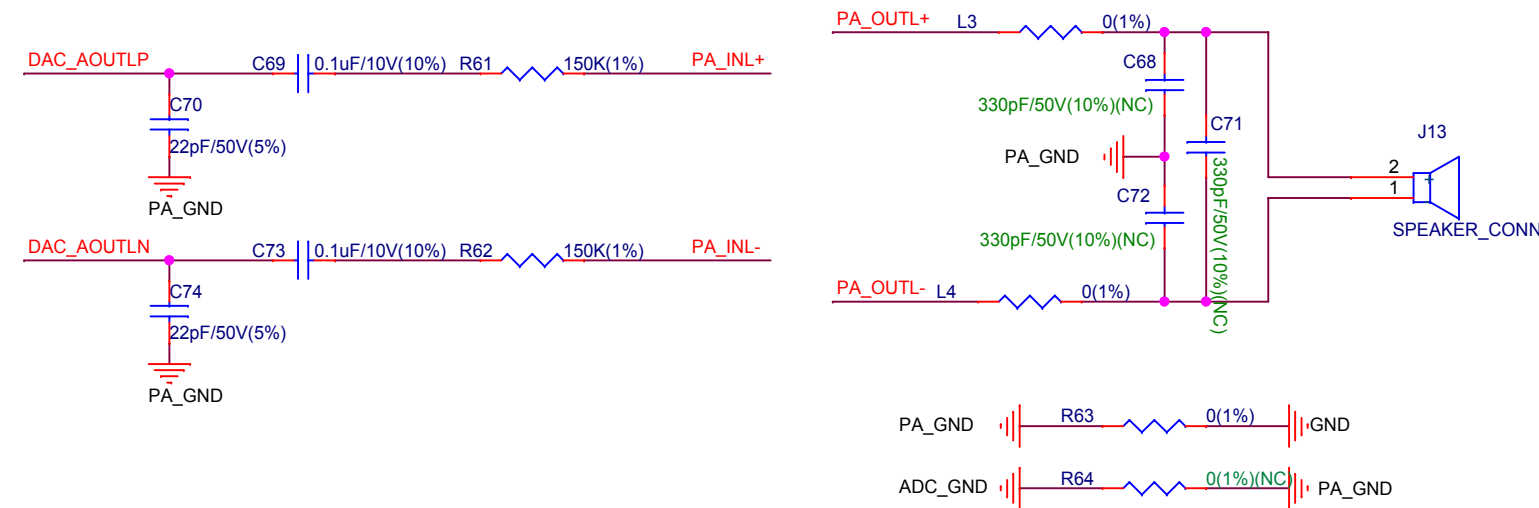
AEC



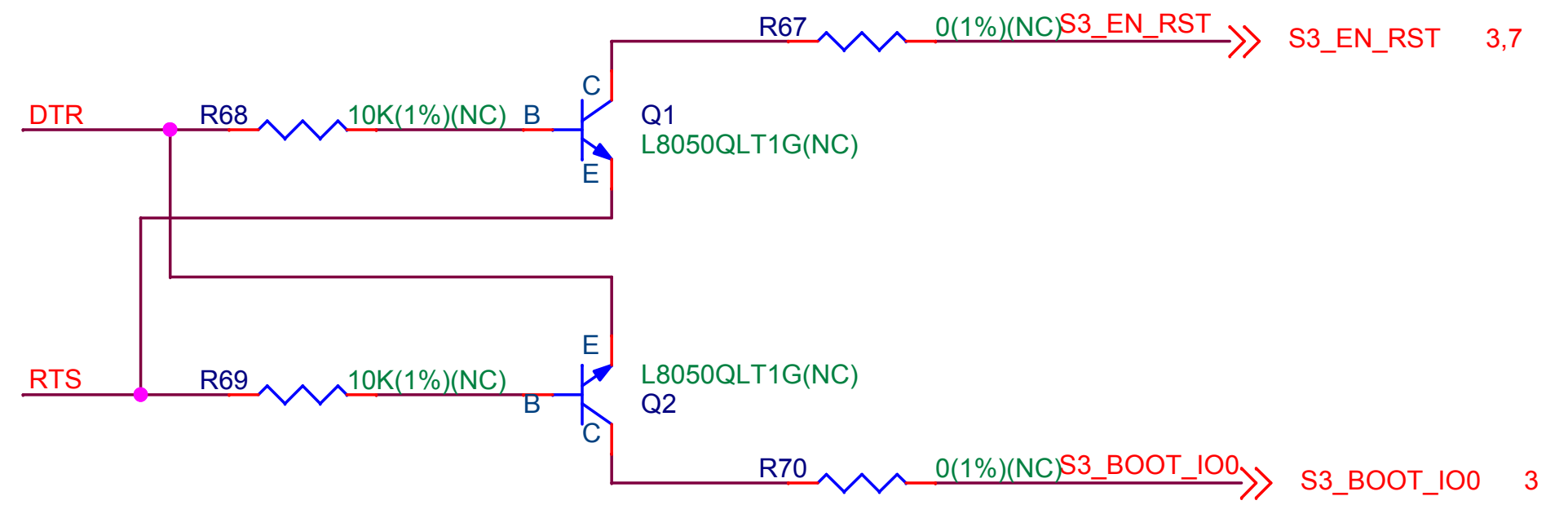
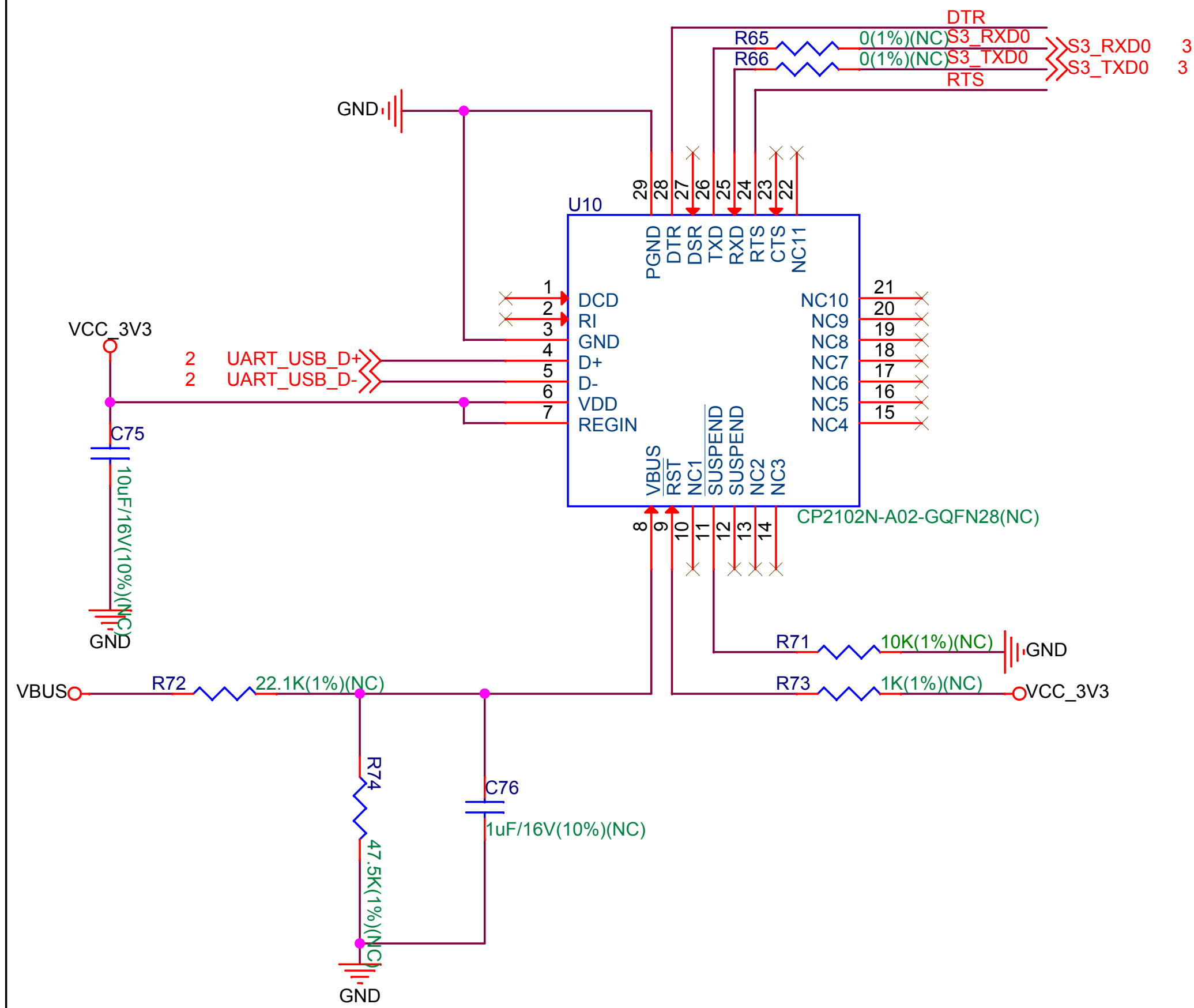
PA



Speaker



USB to UART



Auto program

DTR	RTS	EN	IO0
1	1	1	1
0	0	1	1
1	0	0	1
0	1	1	0

ESPRESSIF

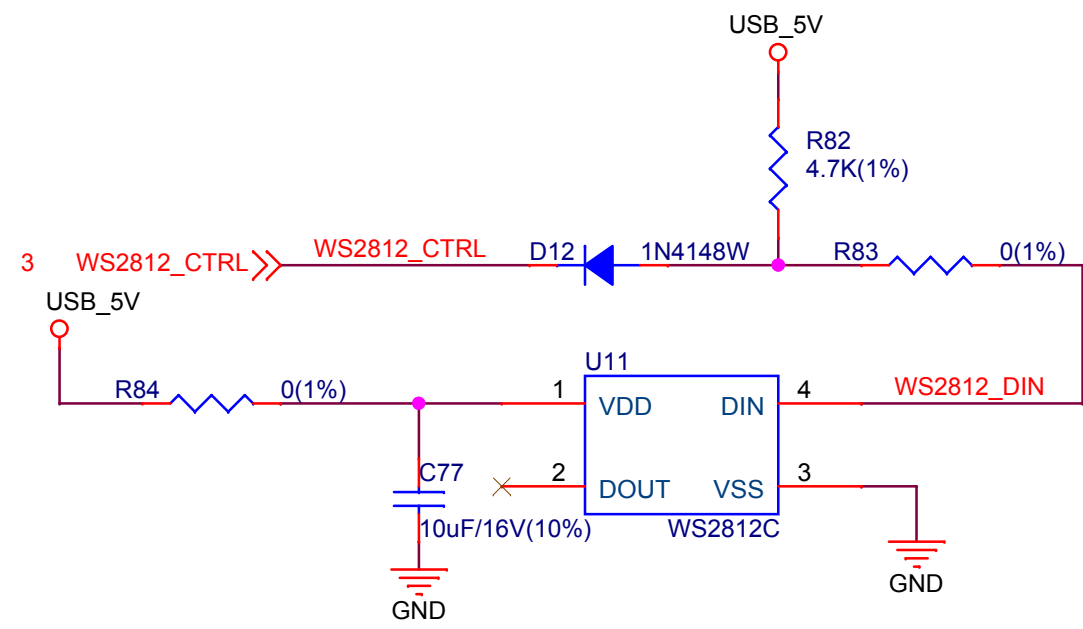
乐鑫信息科技(上海)股份有限公司

Title
ESP32-S3-LCD-Ev MB

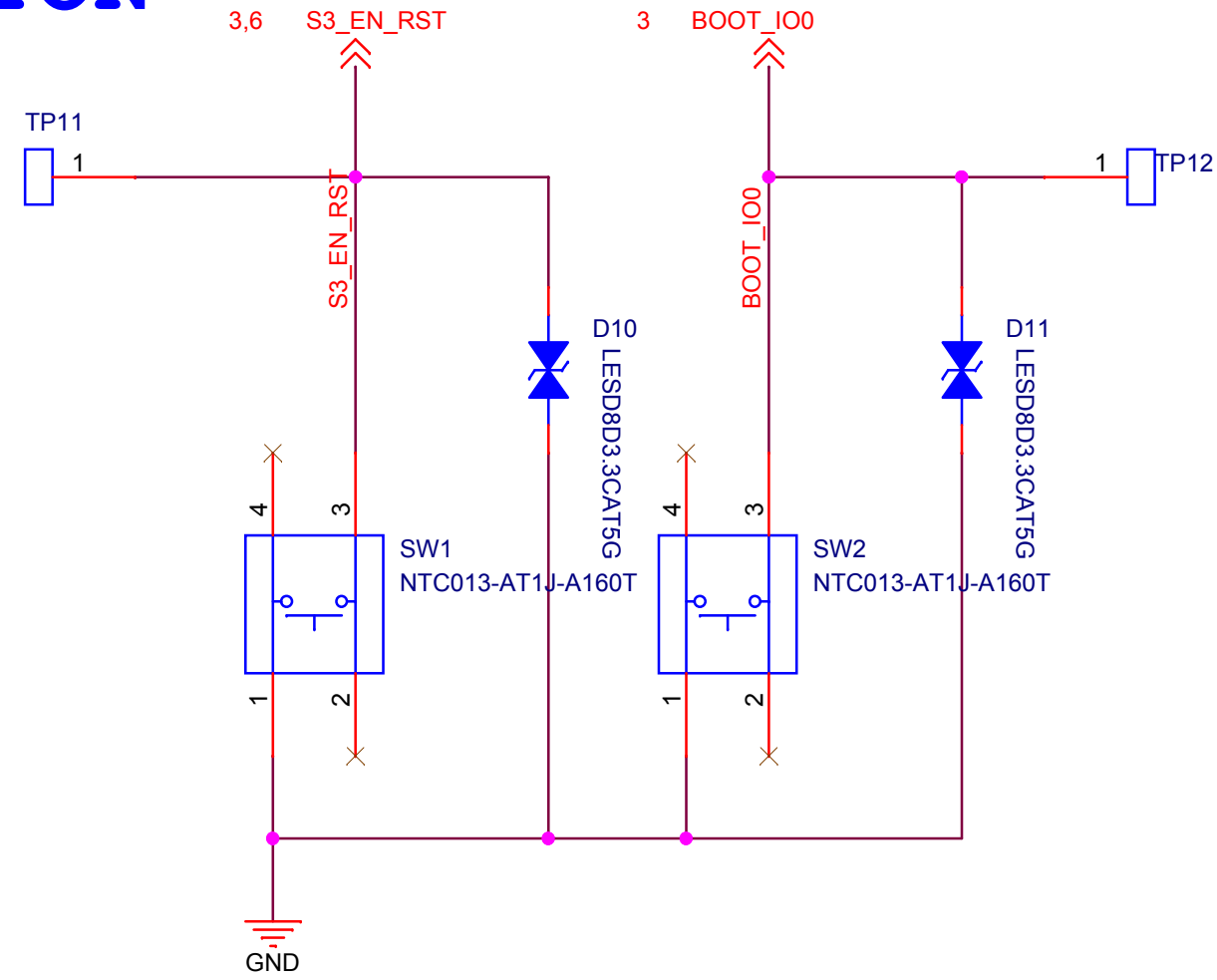
Size A4	Page Name USB to UART	Rev 1.1	Confidential and Proprietary
------------	--------------------------	------------	------------------------------

Date: Wednesday, July 13, 2022 Sheet 6 of 7

LED

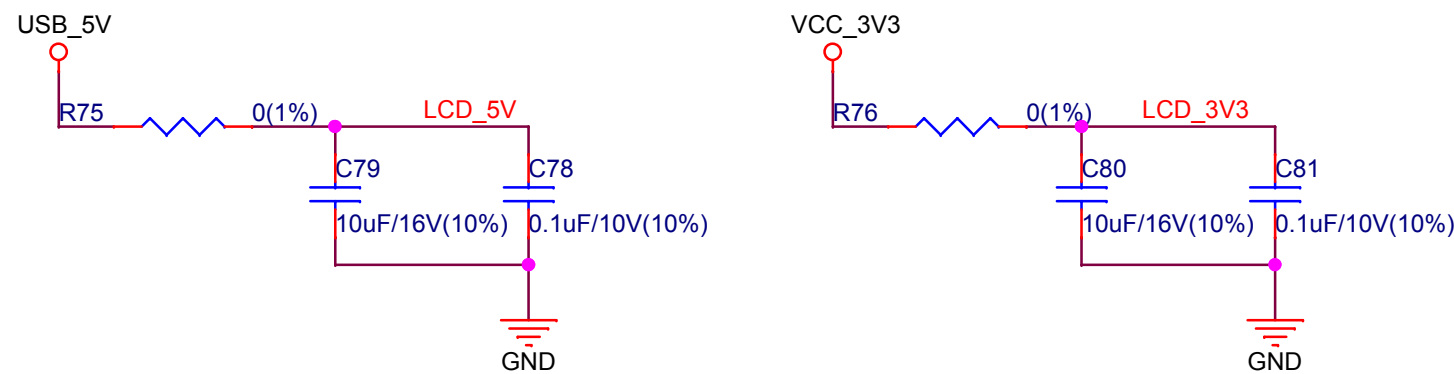
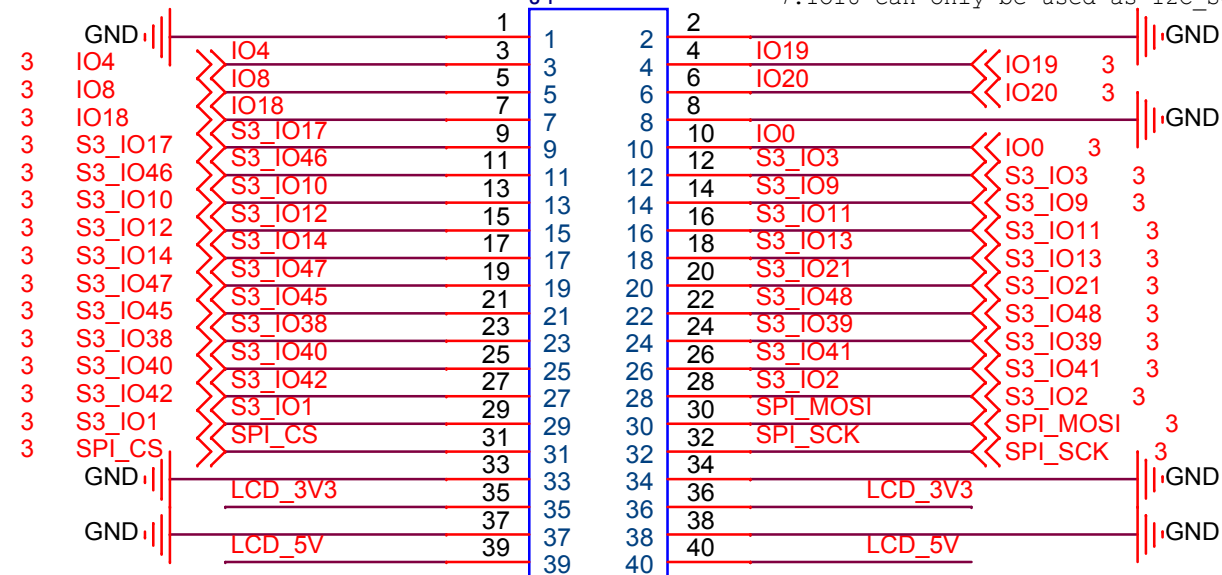


BUTTON

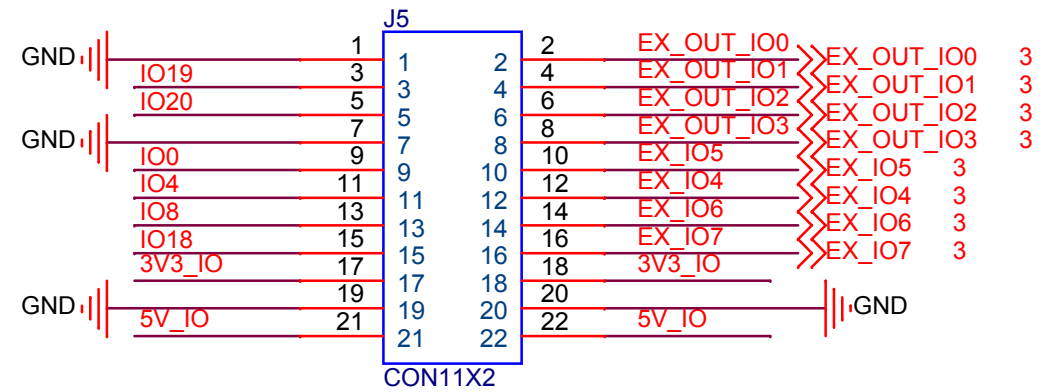


Connector to SUB

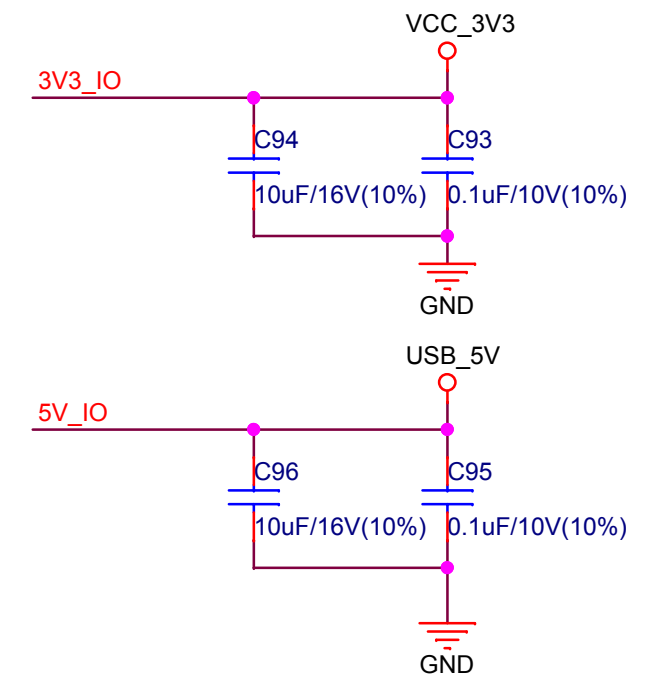
NOTE:
 1. IO19/IO20 can not be used when USB function is running.
 4. IO0 can only be used when system configuration is finished.
 5. IO4 can not be used when SPI is from S3 IO or WS2812_CTRL is used.
 6. IO8 can only be used as I2C_SDA function.
 7. IO18 can only be used as I2C_SCL function.



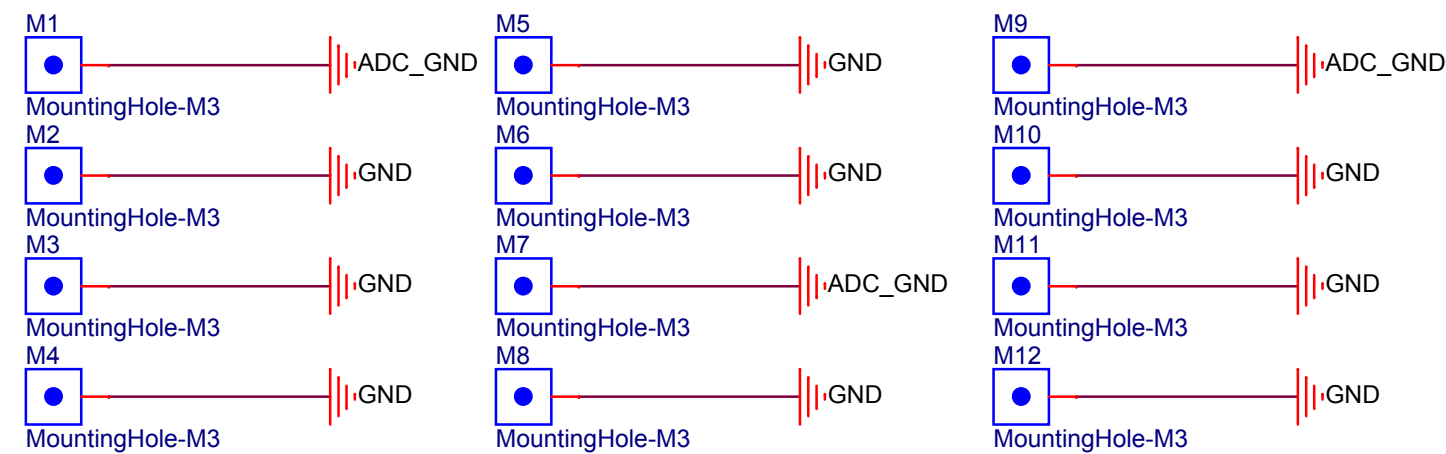
IO for Customer Use



NOTE:
 1. EX_OUT_IO0 can not be used when PA_CTRL is used.
 2. EX_OUT_IO1/EX_OUT_IO2/EX_OUT_IO3 can not be used when SPI is from IO Expander.
 3. IO19/IO20 can not be used when USB function is running.
 4. IO0 can only be used when system configuration is finished.
 5. IO4 can not be used when SPI is from S3 IO or WS2812_CTRL is used.
 6. IO8 can only be used as I2C_SDA function.
 7. IO18 can only be used as I2C_SCL function.



Support Board Holes



ESPRESSIF			
乐鑫信息科技(上海)股份有限公司			
Title ESP32-S3-LCD-Ev MB			
Size B	Page Name Interface	Rev 1.1	Confidential and Proprietary
Date:	Wednesday, July 13, 2022	Sheet	7 of 7