

5

4

3

2

1

Revision History

DATE

Change point

20210312

Initial release

D

D

C

C

B

B

A

A

ESPRESSIF

乐鑫信息科技（上海）股份有限公司

Title

ESP-Touch-Kit-Mainboard

Size

A

Document Number

<01_Revision History>

Rev

V1.0

Date:

Friday, March 12, 2021

Sheet

1

of

5

5

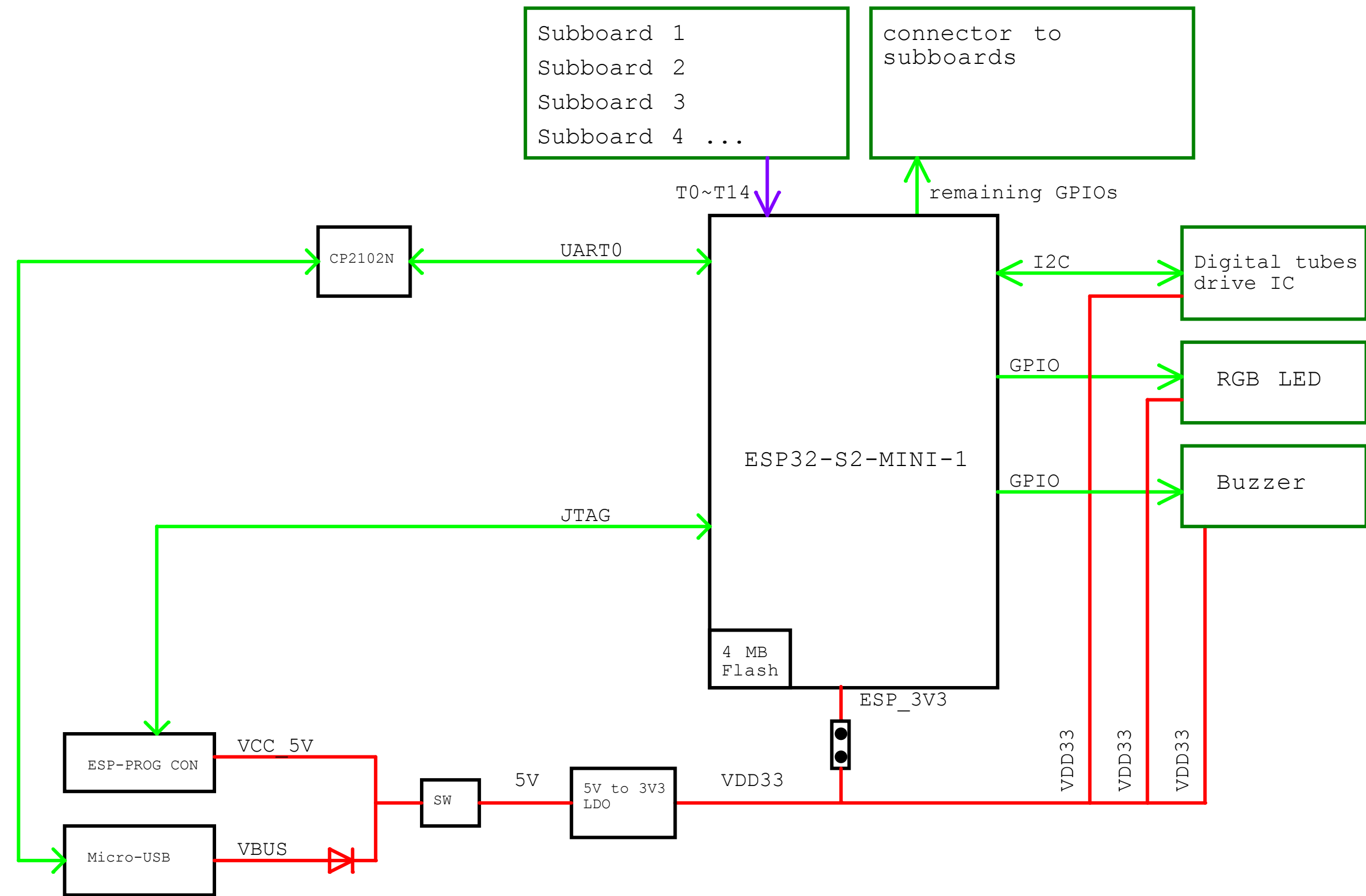
4

3

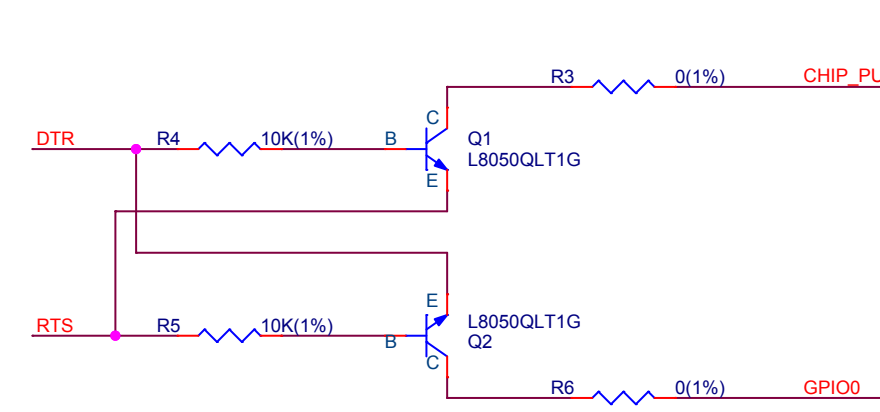
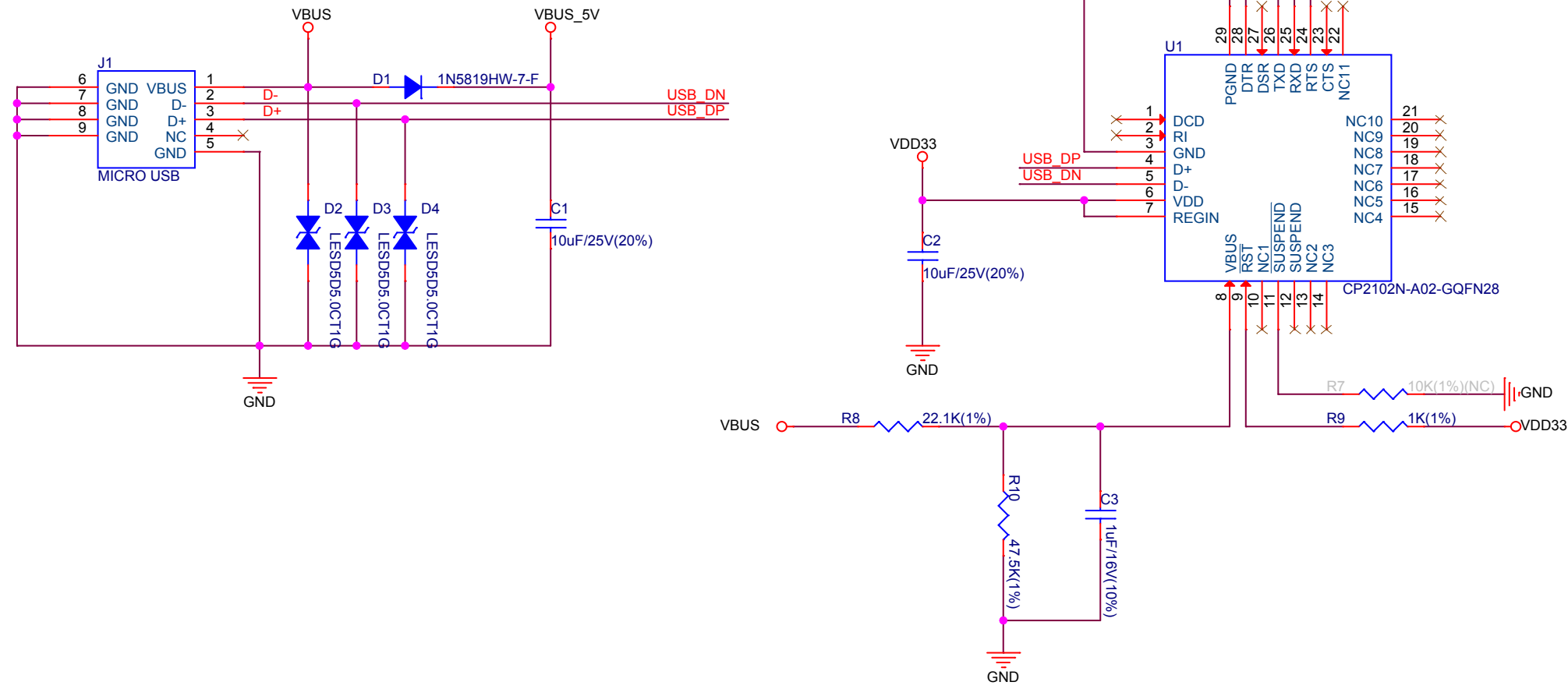
2

1

System Block:

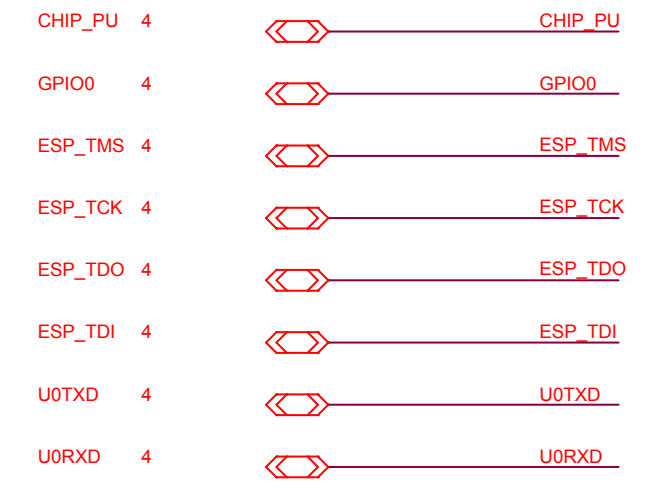


USB to UART :

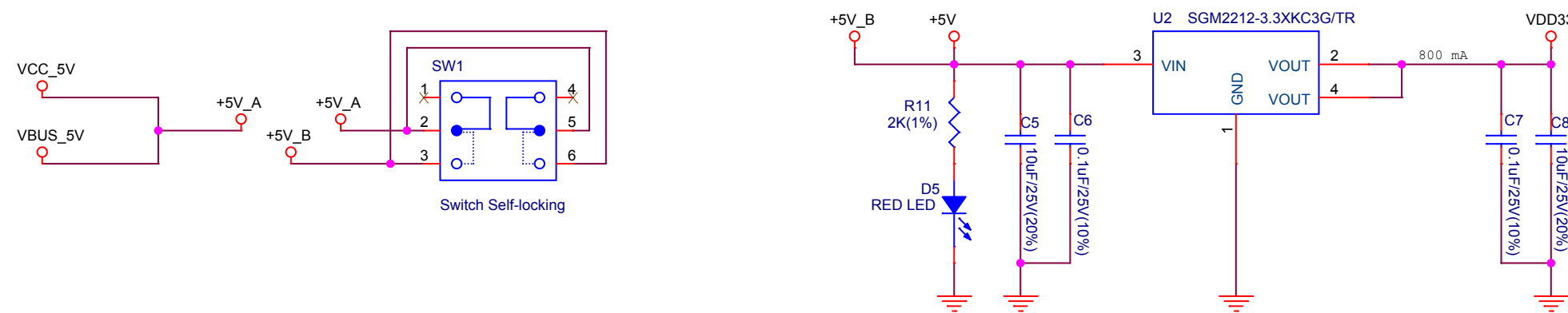


Auto program

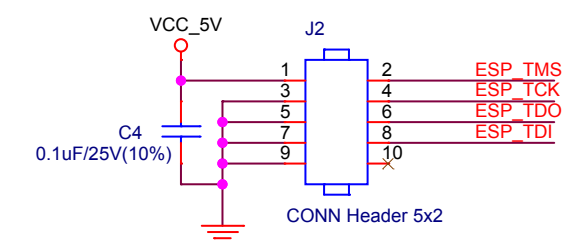
DTR	RTS	EN	IO
1	1	1	1
0	0	1	1
1	0	0	1
0	1	1	0



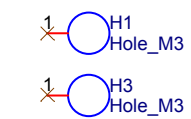
Power



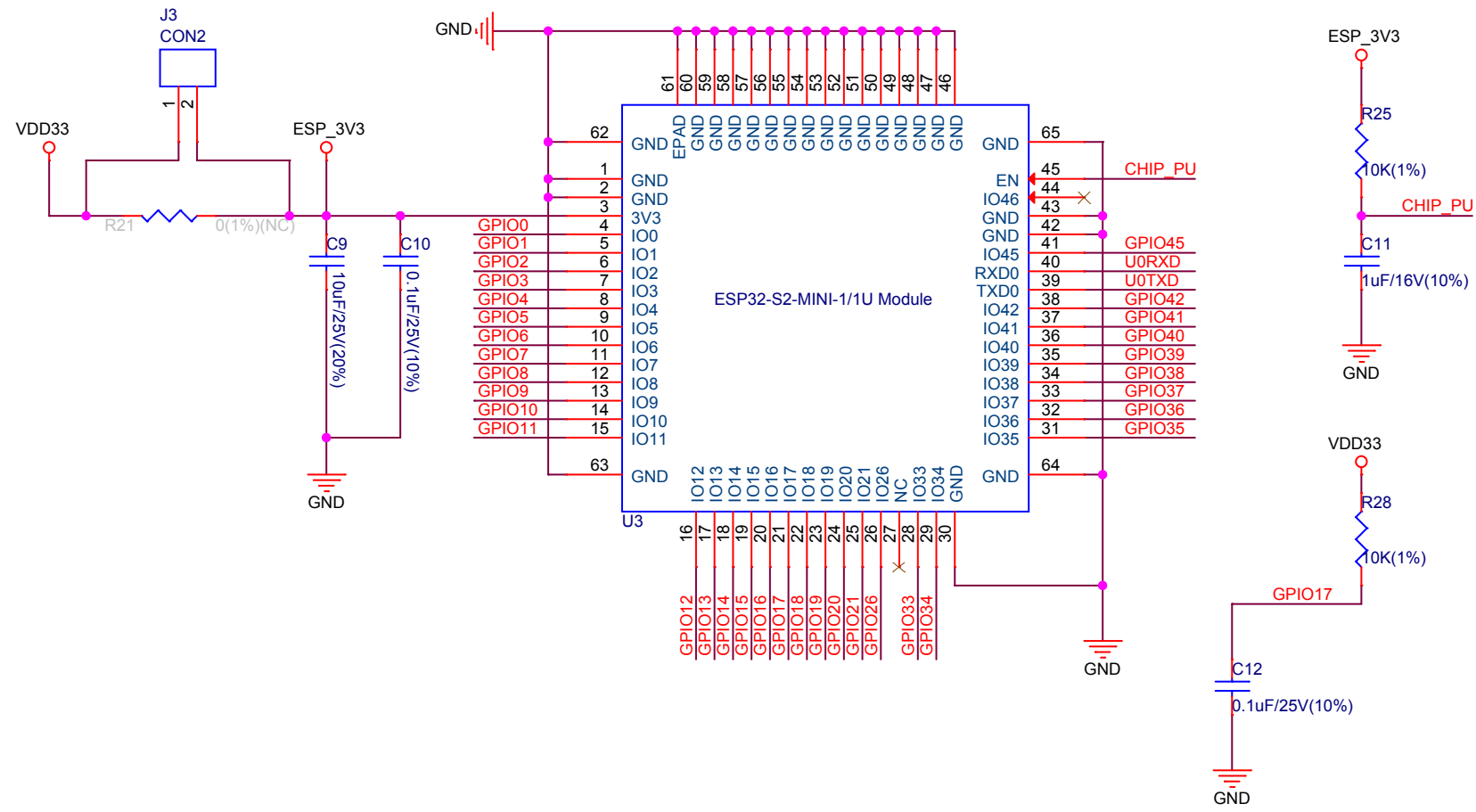
JTAG Port



Mounting Holes



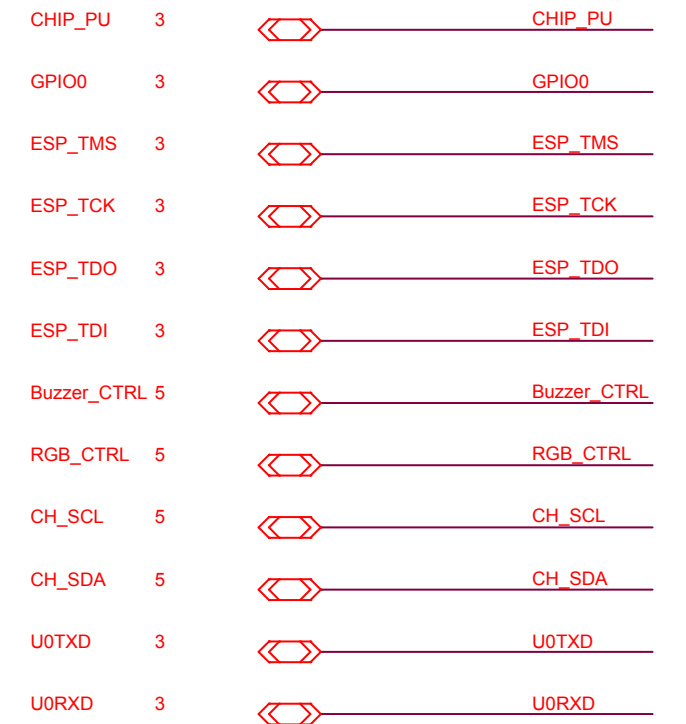
ESP32-S2 Module



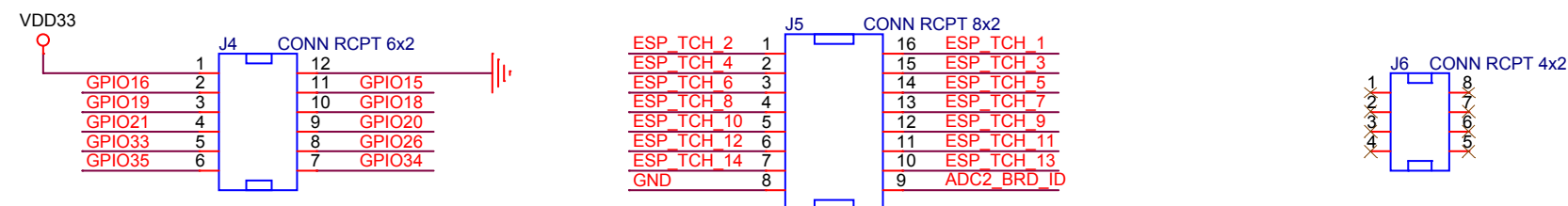
GPIO1	R12	510(1%)	ESP_TCH_1
GPIO2	R22	510(1%)	ESP_TCH_2
GPIO3	R13	510(1%)	ESP_TCH_3
GPIO4	R14	510(1%)	ESP_TCH_4
GPIO5	R15	510(1%)	ESP_TCH_5
GPIO6	R16	510(1%)	ESP_TCH_6
GPIO7	R23	510(1%)	ESP_TCH_7
GPIO8	R17	510(1%)	ESP_TCH_8
GPIO9	R24	510(1%)	ESP_TCH_9
GPIO10	R18	510(1%)	ESP_TCH_10
GPIO11	R19	510(1%)	ESP_TCH_11
GPIO12	R20	510(1%)	ESP_TCH_12
GPIO13	R26	510(1%)	ESP_TCH_13
GPIO14	R27	510(1%)	ESP_TCH_14

GPIO38		CH_SCL
GPIO37		CH_SDA
GPIO36		RGB_CTRL
GPIO45		Buzzer_CTRL
GPIO39		ESP_TCK
GPIO40		ESP_TDO
GPIO41		ESP_TDI
GPIO42		ESP_TMS
GPIO17		ADC2_BRD_ID

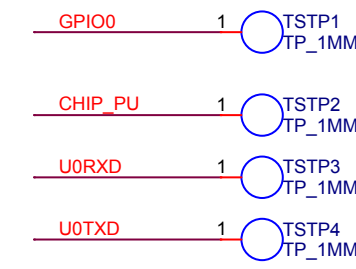
Strapping pins	Default	SPI Boot	Download
GPIO0	high	high	low
GPIO46	low	X	low



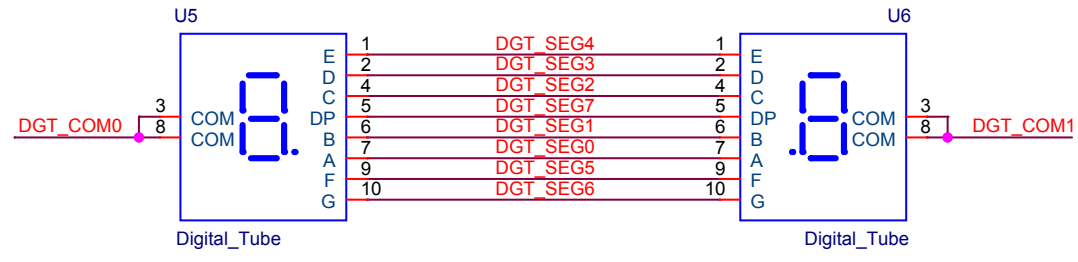
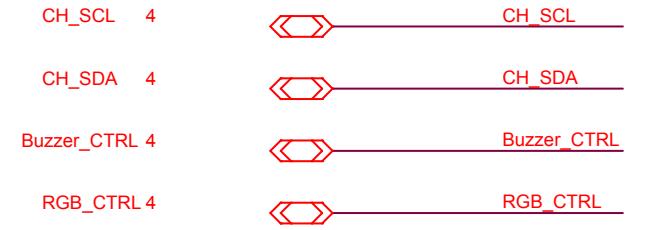
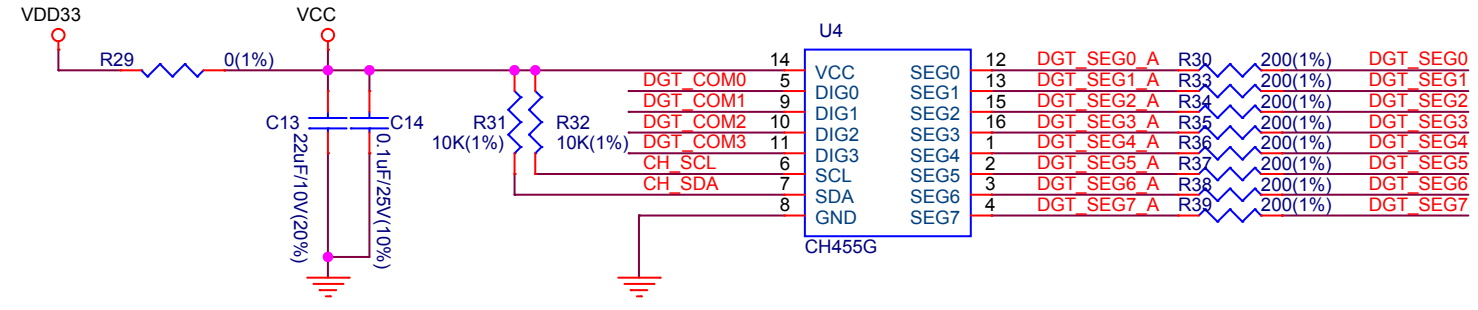
Connectors to Subboards



Test points:



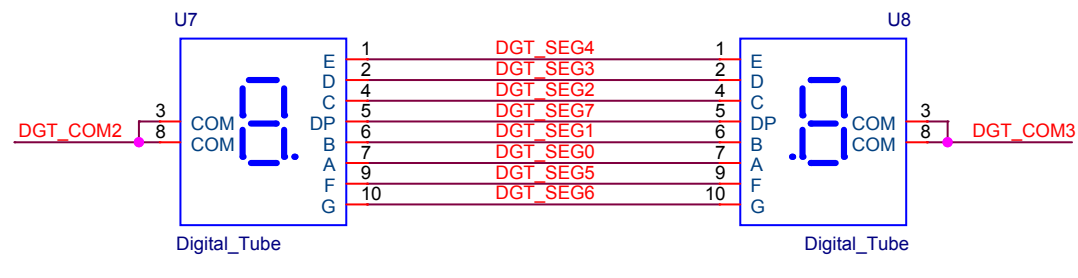
Digital Tubes



X 00~99

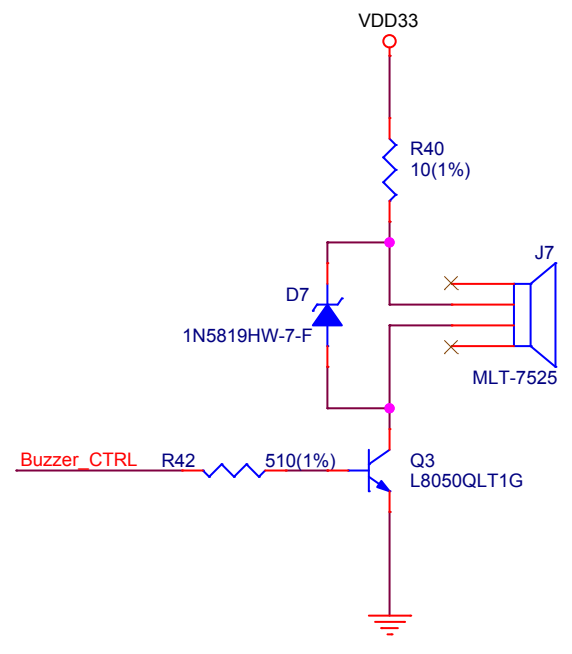
CH455 SEG7~SEG0 V.S. Digital Tubes

S7	S6	S5	S4	S3	S2	S1	S0
DP	G	F	E	D	C	B	A



Y 00~99

Buzzer



RGB LED

