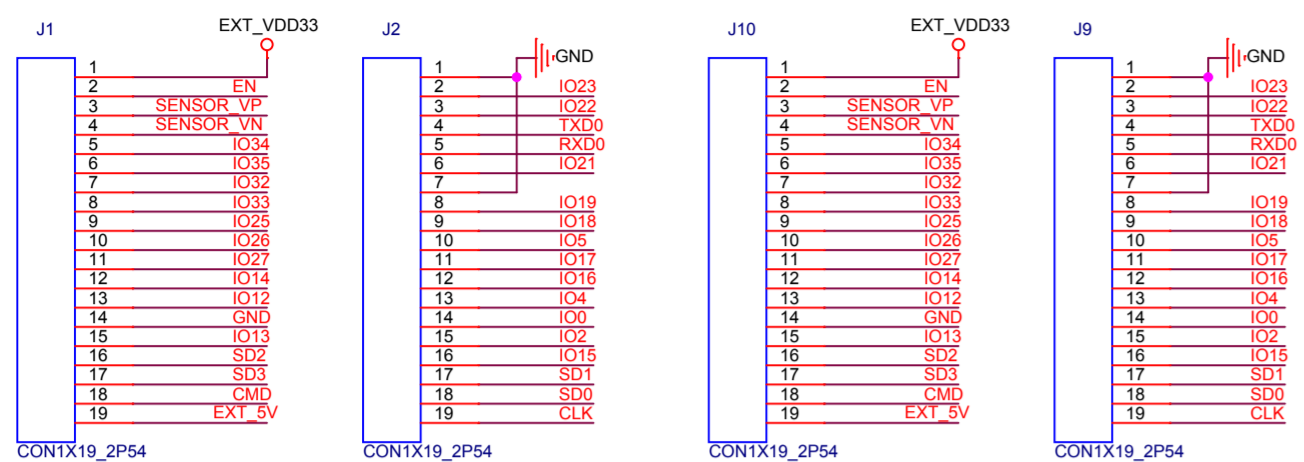
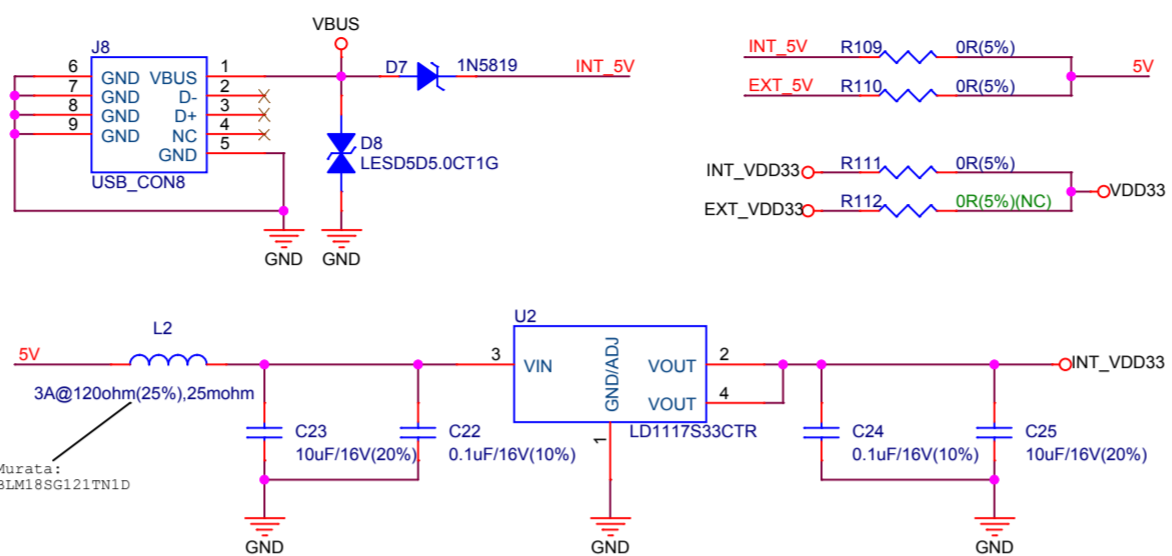


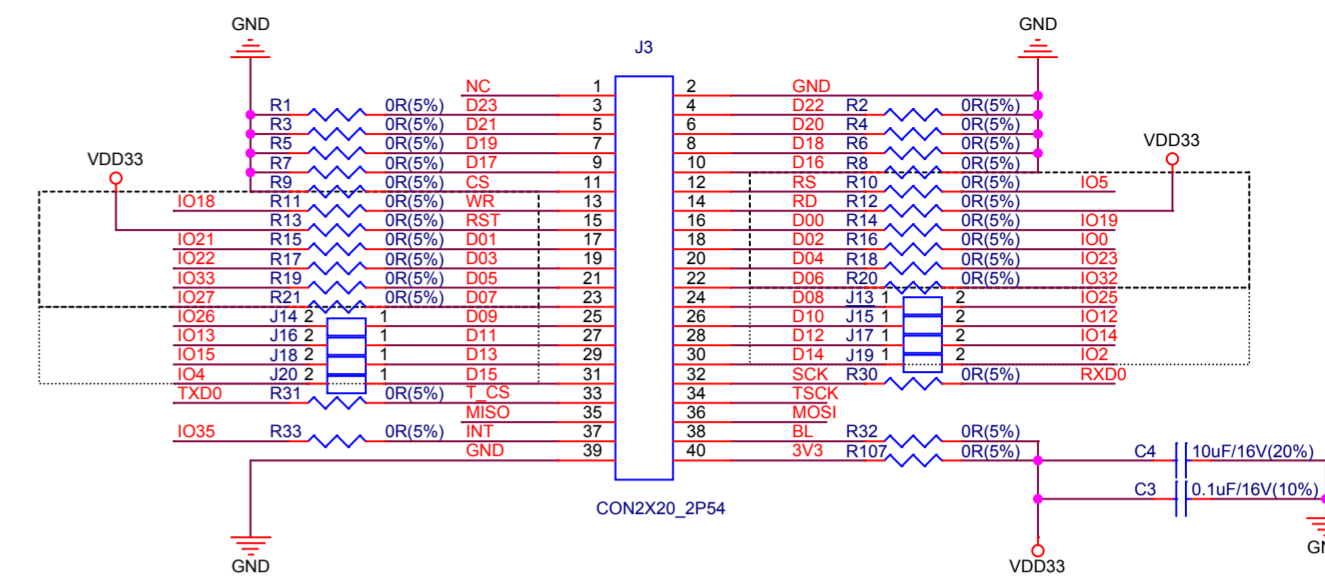
**Core Board Connector:**



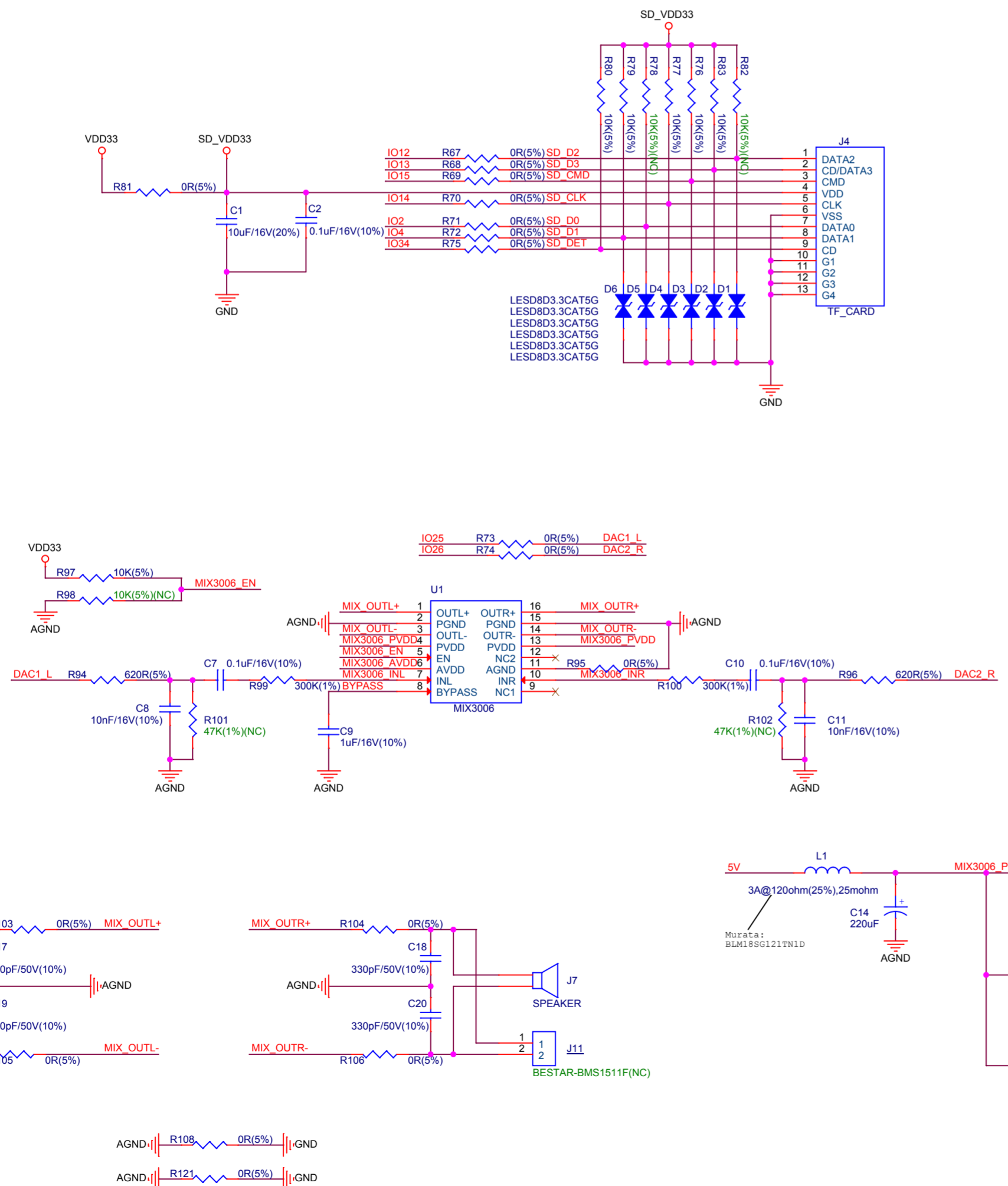
**Power:**



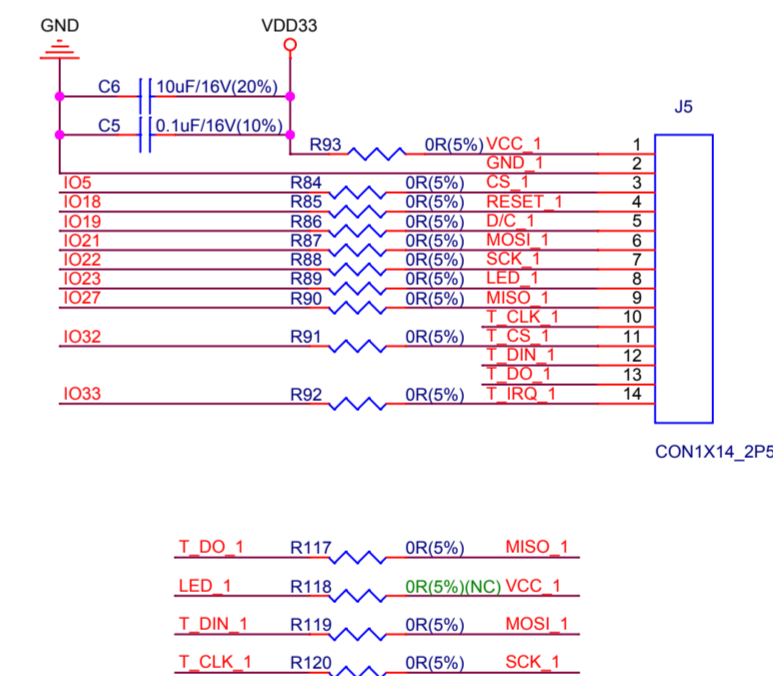
**Parallel Screen Connector:**



**SD card and DAC\_OUT:**



**Serial Screen Connector:**



1. When Screen is operated in parallel sixteen-line mode, SD card and DAC are not be used, R10~R21, J13~J20 are surface-mounted, and R67~R74, R84~R92 are NC.
2. When Screen is operated in parallel eight-line mode, SD card and DAC are be used, R10~R21, R67~R74 are surface-mounted, and J13~J20, R84~R92 are NC.
3. When Screen is operated in serial mode, SD card and DAC are be used, R67~R74, R84~R92 are surface-mounted, and R10~R21, J13~J20 are NC.