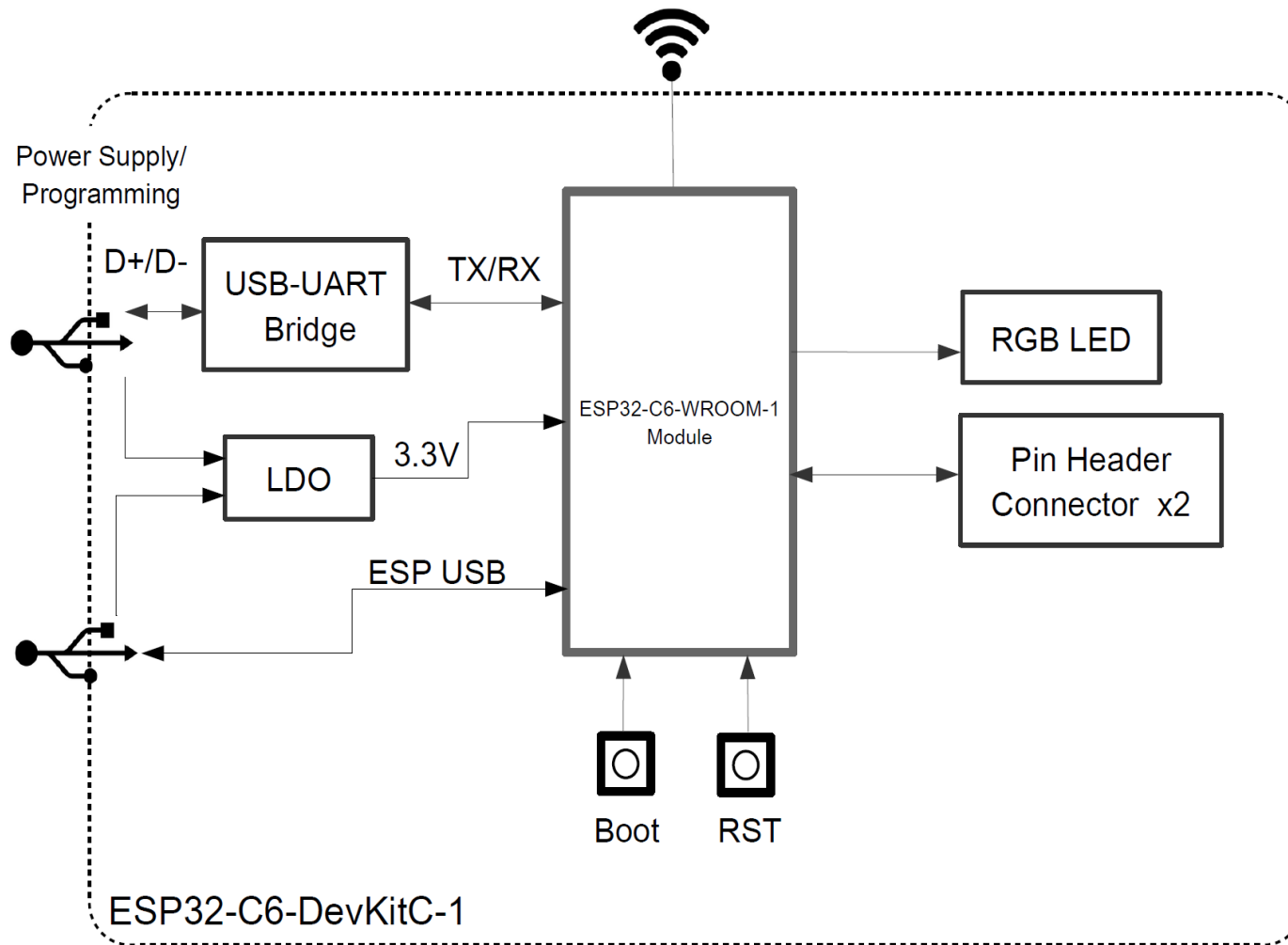
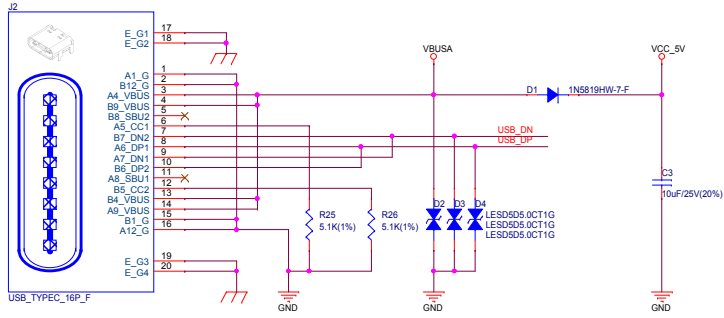


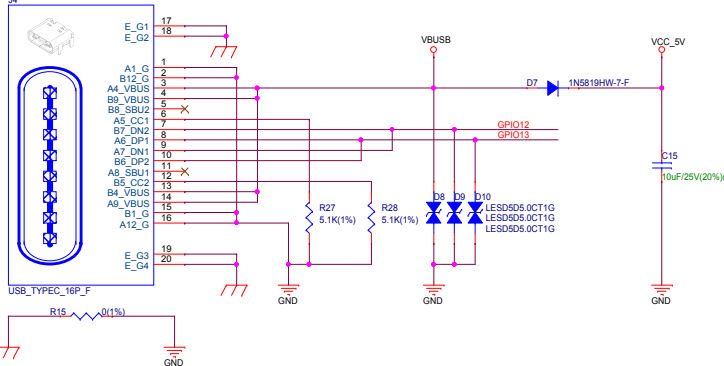
## System Block:



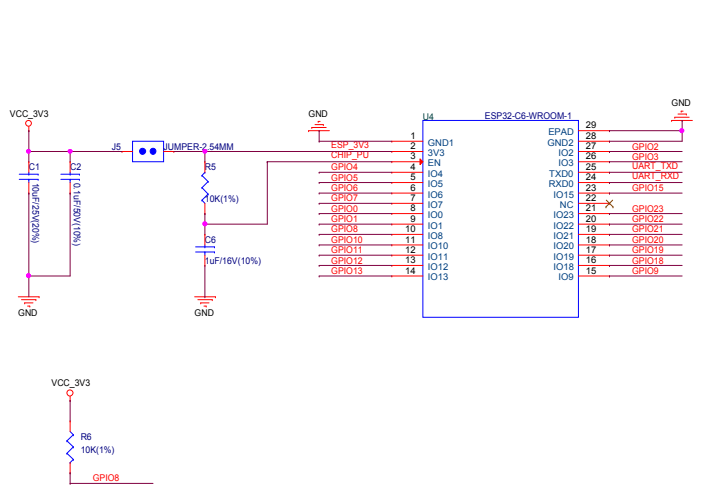
### UART:



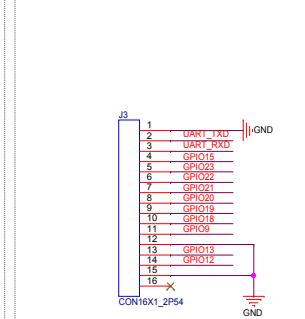
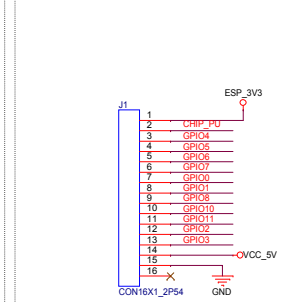
### USB:



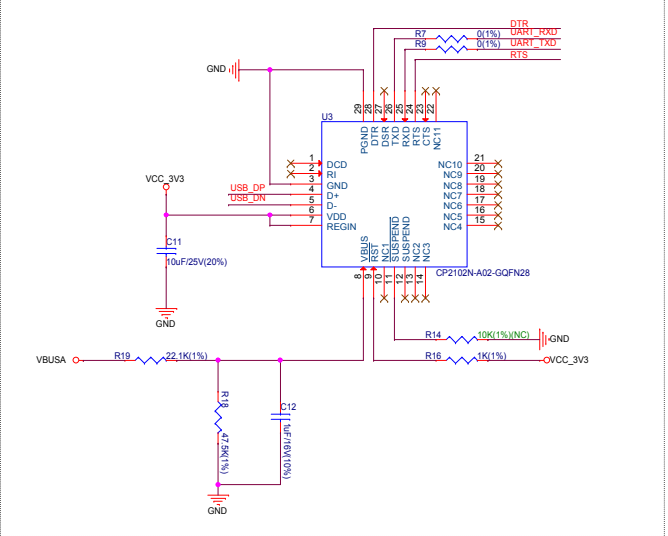
### ESP32-C6-WROOM-1:



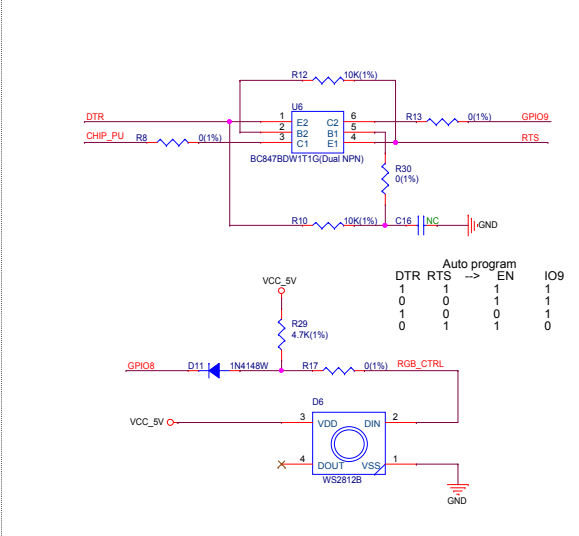
### Pin Header:



### USB to UART:



### Auto Download:



### Power Regulator:

