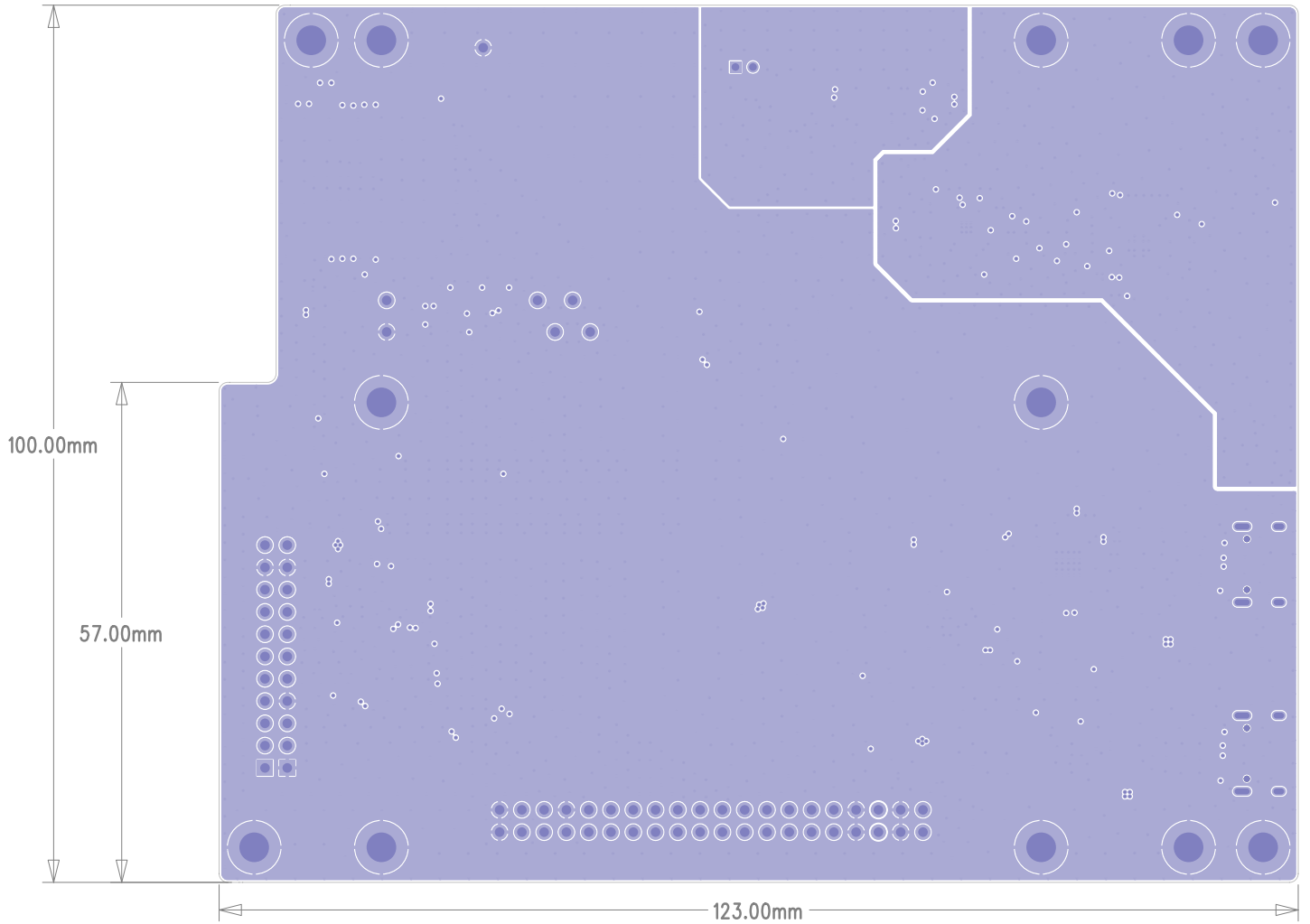


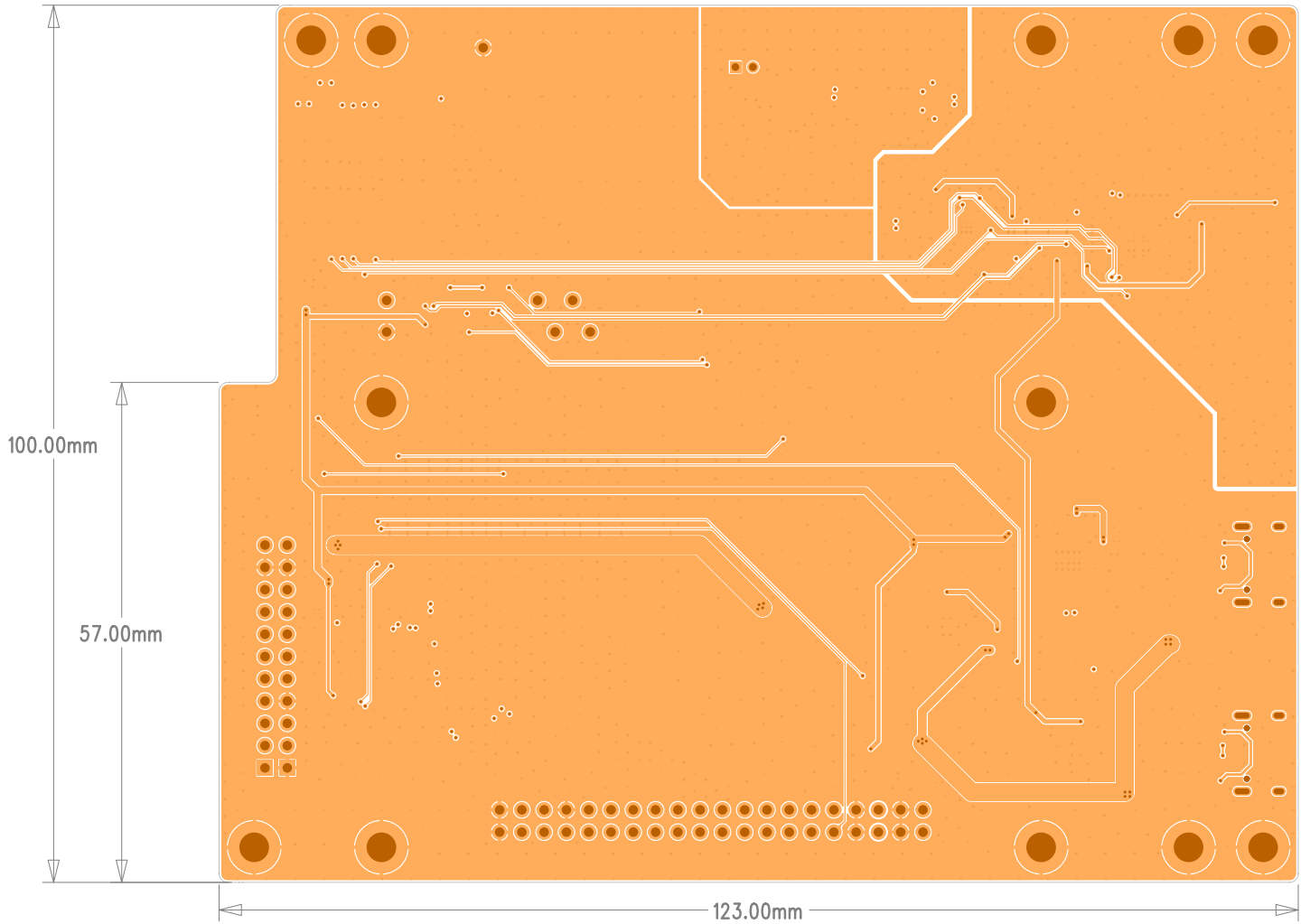
LUMINOSE SYSTEM			
FABRIQUE (S.A.) VERSION			
PROJ.	00000000000000000000	DATE	01/01/2010
DES.	00000000000000000000	REV.	01
REF.	00000000000000000000	PROJ.	00000000000000000000
PROJ.	00000000000000000000	PROJ.	00000000000000000000
PROJ.	00000000000000000000	PROJ.	00000000000000000000

REF.	DES.	PROJ.	PROJ.	PROJ.
00000000000000000000	00000000000000000000	00000000000000000000	00000000000000000000	00000000000000000000
00000000000000000000	00000000000000000000	00000000000000000000	00000000000000000000	00000000000000000000
00000000000000000000	00000000000000000000	00000000000000000000	00000000000000000000	00000000000000000000
00000000000000000000	00000000000000000000	00000000000000000000	00000000000000000000	00000000000000000000



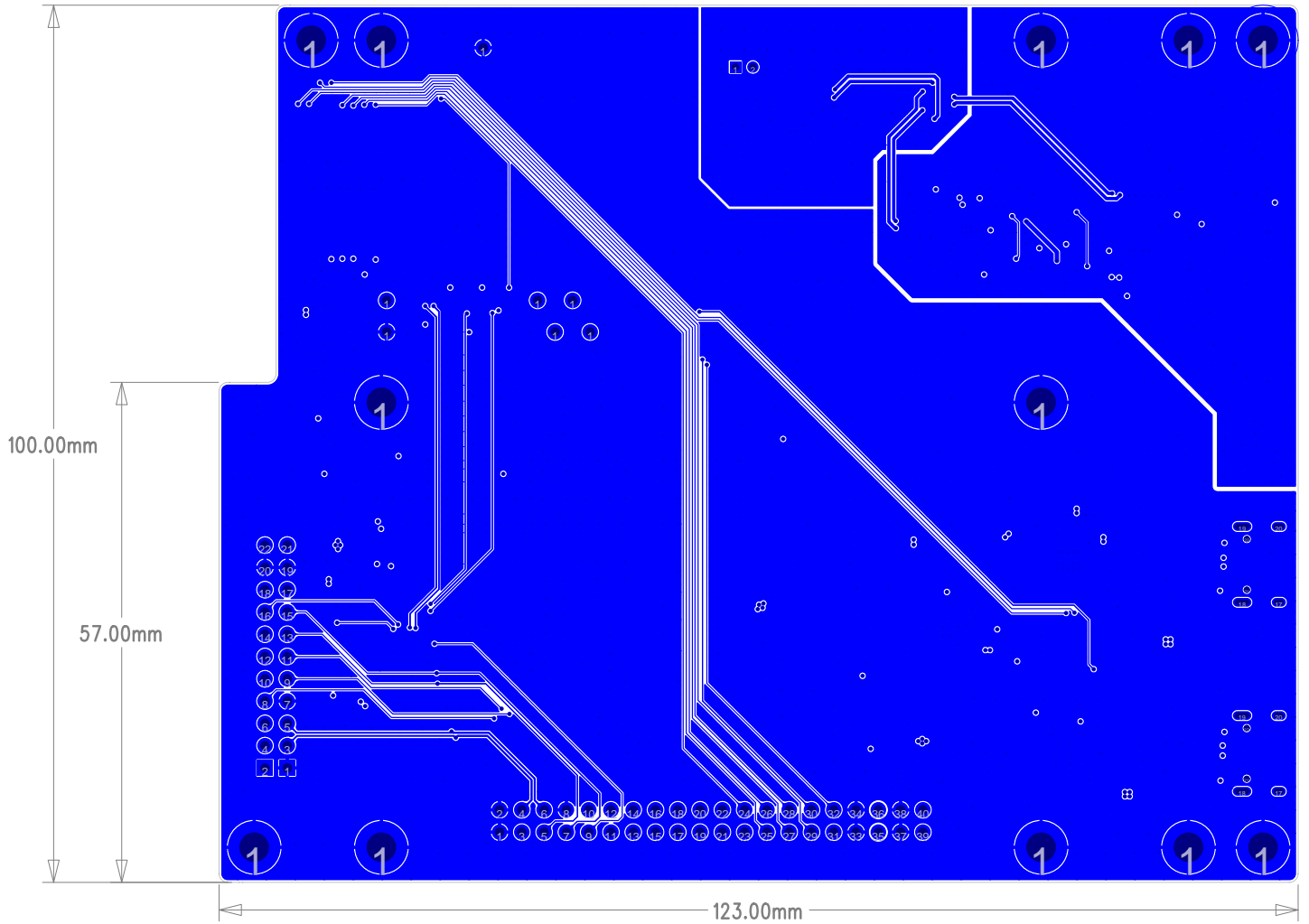
ESPRESSO SYSTEMS			
PROJEKT	ESPRESSO	DATE	18.06.2022
DESIGNER	ESPRESSO	DATE	18.06.2022
DATE	18.06.2022	DESIGNER	ESPRESSO
DATE	18.06.2022	DESIGNER	ESPRESSO

NO.	DESCRIPTION	DATE	BY
1
2
3
4
5
6
7
8
9
10



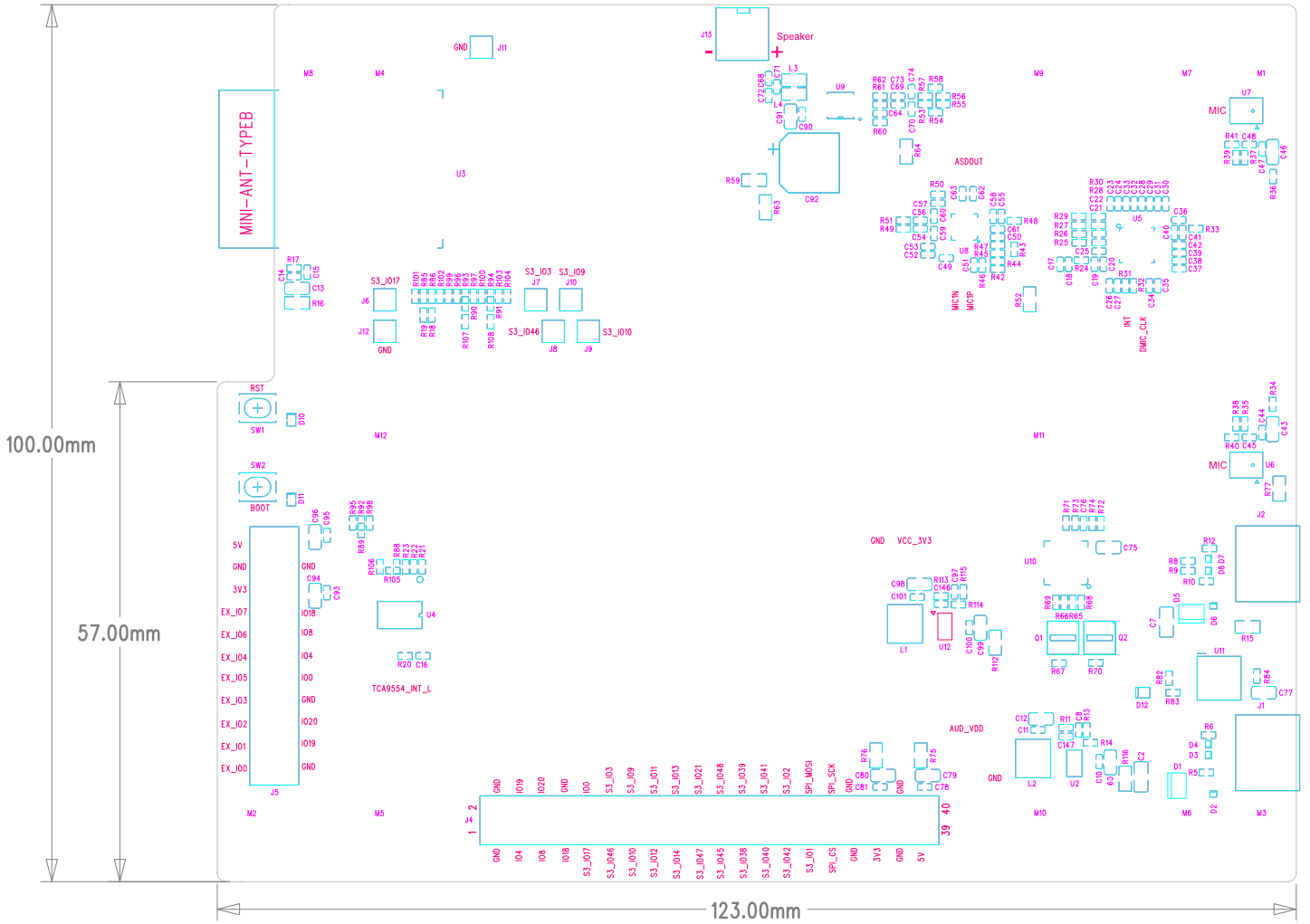
ESPRESSIF SYSTEMS			
DESIGNER	1307	1307	1307
DATE	2023-01-18	2023-01-18	2023-01-18
FILE	ESP32-S3-01-01-01-01-01-01	ESP32-S3-01-01-01-01-01-01	ESP32-S3-01-01-01-01-01-01
REV	1.0	1.0	1.0
DATE	2023-01-18	2023-01-18	2023-01-18
BY	1307	1307	1307
CHK	1307	1307	1307
APP	1307	1307	1307
DATE	2023-01-18	2023-01-18	2023-01-18

REV	DATE	DESCRIPTION	BY	CHK	APP
1.0	2023-01-18	Initial Design	1307	1307	1307
2.0	2023-01-18	Design Update	1307	1307	1307
3.0	2023-01-18	Design Update	1307	1307	1307
4.0	2023-01-18	Design Update	1307	1307	1307
5.0	2023-01-18	Design Update	1307	1307	1307
6.0	2023-01-18	Design Update	1307	1307	1307
7.0	2023-01-18	Design Update	1307	1307	1307
8.0	2023-01-18	Design Update	1307	1307	1307
9.0	2023-01-18	Design Update	1307	1307	1307
10.0	2023-01-18	Design Update	1307	1307	1307



ESPRESSIF SYSTEMS	
DESIGNER	1.00" 80000000
DATE	2020-01-14 10:00:00
VERSION	1.0
PROJECT	ESPRESSIF SYSTEMS
DESCRIPTION	ESPRESSIF SYSTEMS
REVISION	1.0
DATE	2020-01-14 10:00:00
BY	1.0
DATE	2020-01-14 10:00:00

NO.	NAME	UNIT	QTY	UNIT PRICE	TOTAL PRICE
1	ESPRESSIF SYSTEMS	PCB	1	100.00	100.00
2	ESPRESSIF SYSTEMS	PCB	1	100.00	100.00
3	ESPRESSIF SYSTEMS	PCB	1	100.00	100.00
4	ESPRESSIF SYSTEMS	PCB	1	100.00	100.00
5	ESPRESSIF SYSTEMS	PCB	1	100.00	100.00
6	ESPRESSIF SYSTEMS	PCB	1	100.00	100.00
7	ESPRESSIF SYSTEMS	PCB	1	100.00	100.00
8	ESPRESSIF SYSTEMS	PCB	1	100.00	100.00
9	ESPRESSIF SYSTEMS	PCB	1	100.00	100.00
10	ESPRESSIF SYSTEMS	PCB	1	100.00	100.00
11	ESPRESSIF SYSTEMS	PCB	1	100.00	100.00
12	ESPRESSIF SYSTEMS	PCB	1	100.00	100.00
13	ESPRESSIF SYSTEMS	PCB	1	100.00	100.00
14	ESPRESSIF SYSTEMS	PCB	1	100.00	100.00
15	ESPRESSIF SYSTEMS	PCB	1	100.00	100.00
16	ESPRESSIF SYSTEMS	PCB	1	100.00	100.00
17	ESPRESSIF SYSTEMS	PCB	1	100.00	100.00
18	ESPRESSIF SYSTEMS	PCB	1	100.00	100.00
19	ESPRESSIF SYSTEMS	PCB	1	100.00	100.00
20	ESPRESSIF SYSTEMS	PCB	1	100.00	100.00
21	ESPRESSIF SYSTEMS	PCB	1	100.00	100.00
22	ESPRESSIF SYSTEMS	PCB	1	100.00	100.00
23	ESPRESSIF SYSTEMS	PCB	1	100.00	100.00
24	ESPRESSIF SYSTEMS	PCB	1	100.00	100.00
25	ESPRESSIF SYSTEMS	PCB	1	100.00	100.00
26	ESPRESSIF SYSTEMS	PCB	1	100.00	100.00
27	ESPRESSIF SYSTEMS	PCB	1	100.00	100.00
28	ESPRESSIF SYSTEMS	PCB	1	100.00	100.00
29	ESPRESSIF SYSTEMS	PCB	1	100.00	100.00
30	ESPRESSIF SYSTEMS	PCB	1	100.00	100.00
31	ESPRESSIF SYSTEMS	PCB	1	100.00	100.00
32	ESPRESSIF SYSTEMS	PCB	1	100.00	100.00
33	ESPRESSIF SYSTEMS	PCB	1	100.00	100.00
34	ESPRESSIF SYSTEMS	PCB	1	100.00	100.00
35	ESPRESSIF SYSTEMS	PCB	1	100.00	100.00
36	ESPRESSIF SYSTEMS	PCB	1	100.00	100.00
37	ESPRESSIF SYSTEMS	PCB	1	100.00	100.00
38	ESPRESSIF SYSTEMS	PCB	1	100.00	100.00
39	ESPRESSIF SYSTEMS	PCB	1	100.00	100.00
40	ESPRESSIF SYSTEMS	PCB	1	100.00	100.00



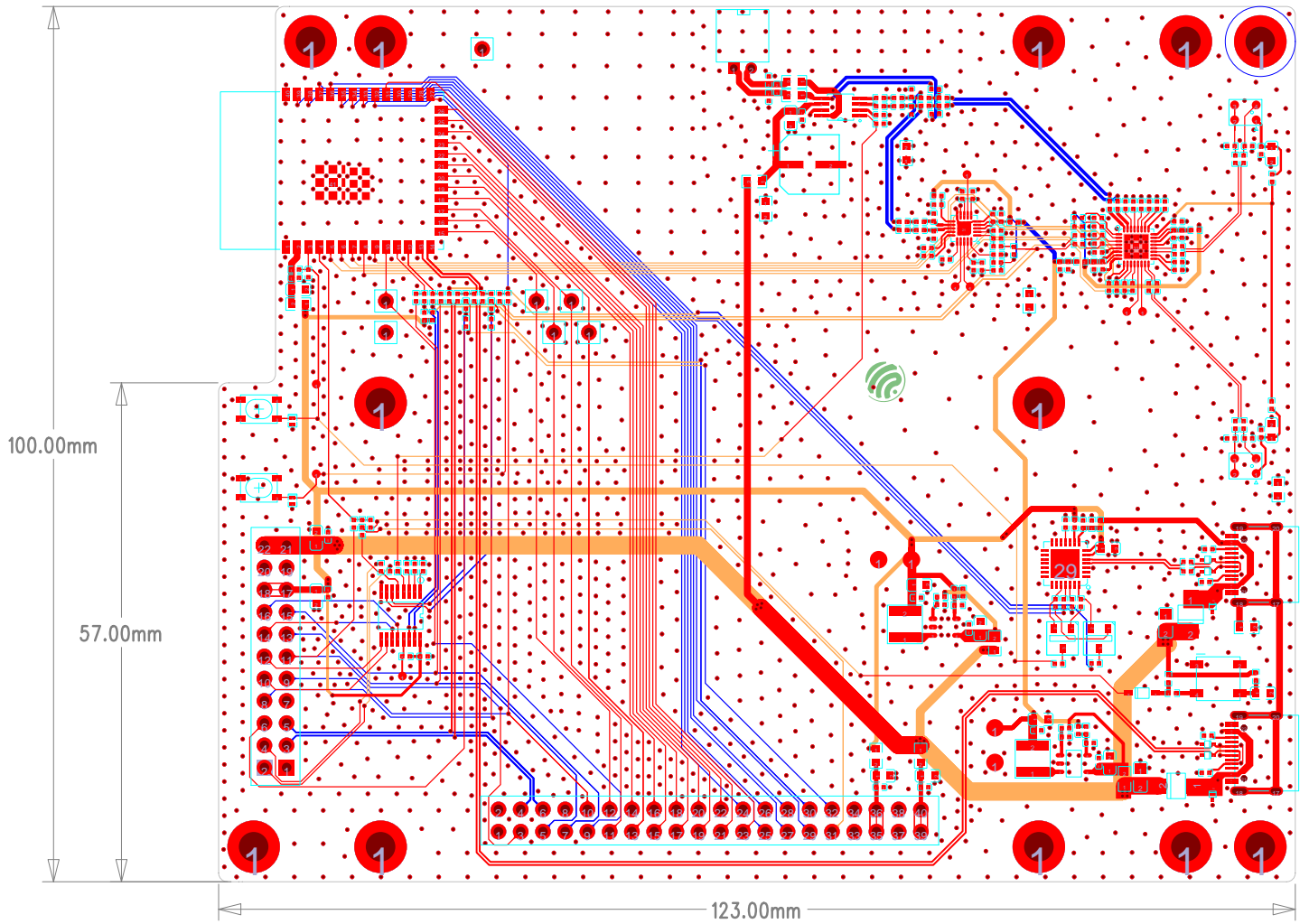
SUPPLIER SYSTEM			
Part No.	Part Name	Quantity	Unit
1001	RESISTOR	100	PCB
1002	CAPACITOR	50	PCB
1003	IC	1	PCB
1004	CONNECTOR	1	PCB
1005	ANTENNA	1	PCB
1006	INDUCTOR	10	PCB
1007	DIODE	5	PCB
1008	TRANSISTOR	1	PCB
1009	RELAY	1	PCB
1010	OTHER	100	PCB

Part No.	Part Name	Quantity	Unit
1011	RESISTOR	100	PCB
1012	CAPACITOR	50	PCB
1013	IC	1	PCB
1014	CONNECTOR	1	PCB
1015	ANTENNA	1	PCB
1016	INDUCTOR	10	PCB
1017	DIODE	5	PCB
1018	TRANSISTOR	1	PCB
1019	RELAY	1	PCB
1020	OTHER	100	PCB



ESPRESSO SYSTEMS			
PROJETO	ESPRESSO	REV	01
FECHA	10/05/2023	PROJETO	ESPRESSO
PROJETO	ESPRESSO	REV	01
FECHA	10/05/2023	PROJETO	ESPRESSO

Item	Descrição	Quantidade	Unidade
1	ESPRESSO	1	PCB
2	ESPRESSO	1	PCB
3	ESPRESSO	1	PCB
4	ESPRESSO	1	PCB
5	ESPRESSO	1	PCB
6	ESPRESSO	1	PCB
7	ESPRESSO	1	PCB
8	ESPRESSO	1	PCB
9	ESPRESSO	1	PCB
10	ESPRESSO	1	PCB



LAPTOP SYSTEM			
PROJEKTLEITER	J. K. WENZEL		
PROJEKTNUMMER	1000000000000000		
PROJEKTNAME	1000		
PROJEKTSTATUS	1000		
PROJEKTZEITRAUM	1000		
PROJEKTLEITER	1000		
PROJEKTNUMMER	1000		
PROJEKTNAME	1000		
PROJEKTSTATUS	1000		
PROJEKTZEITRAUM	1000		

NO.	NAME	WERT	UNIT
1
2
3
4
5
6
7
8
9
10
11
12
13
14
15
16
17
18
19
20
21
22
23
24
25
26
27
28
29
30
31
32
33
34
35
36
37
38
39
40
41
42
43
44
45
46
47
48
49
50