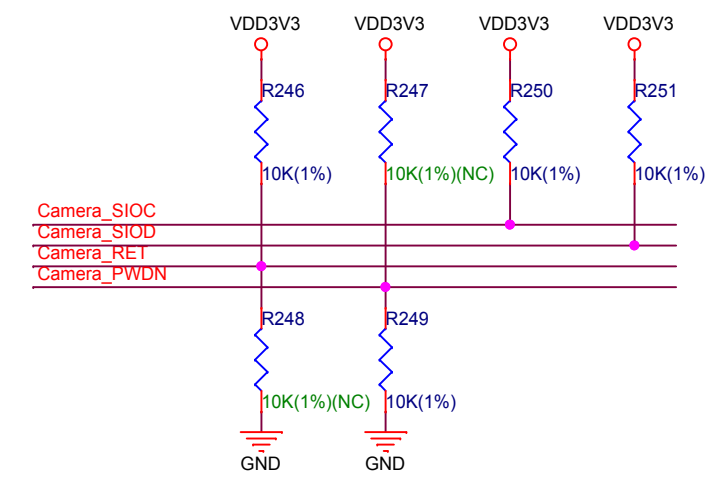
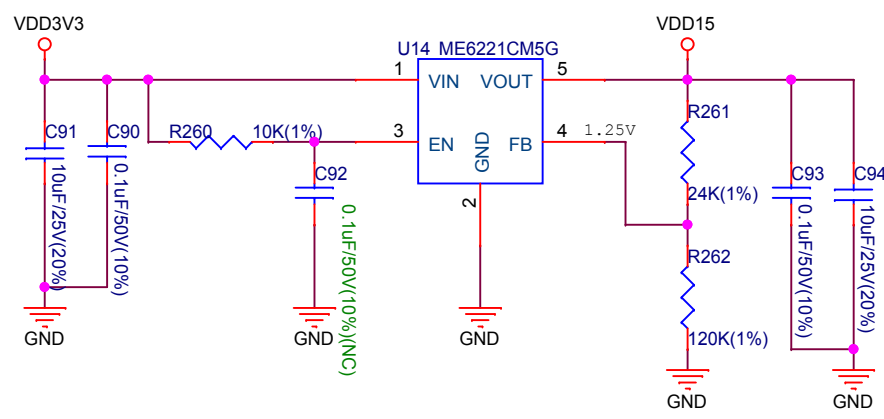
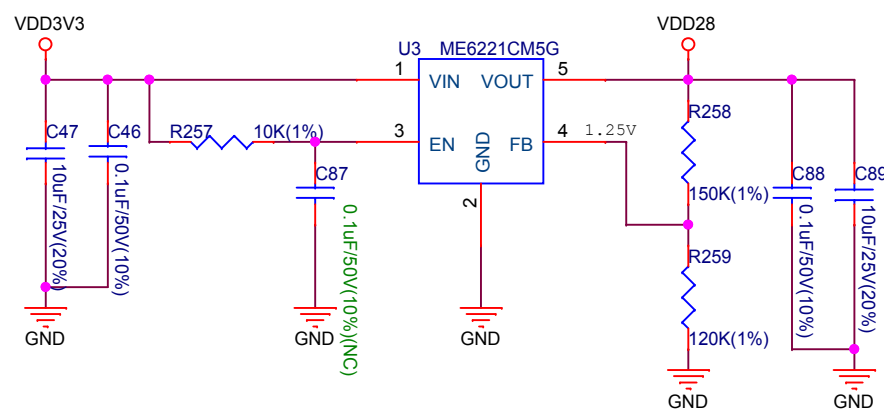
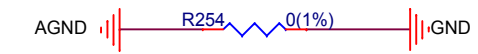
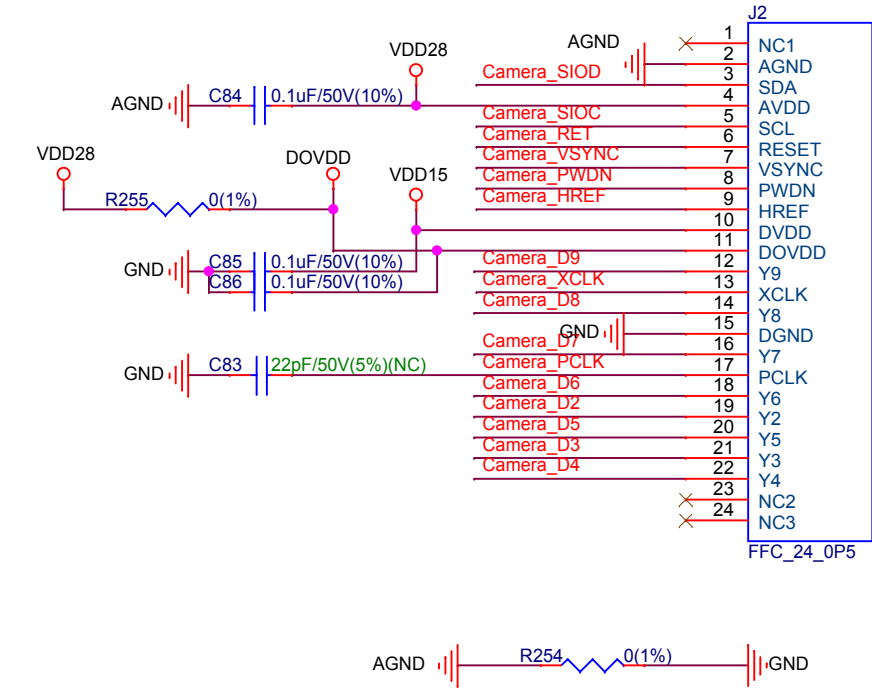
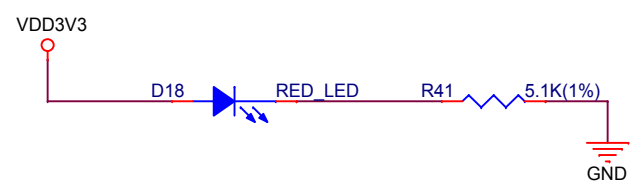
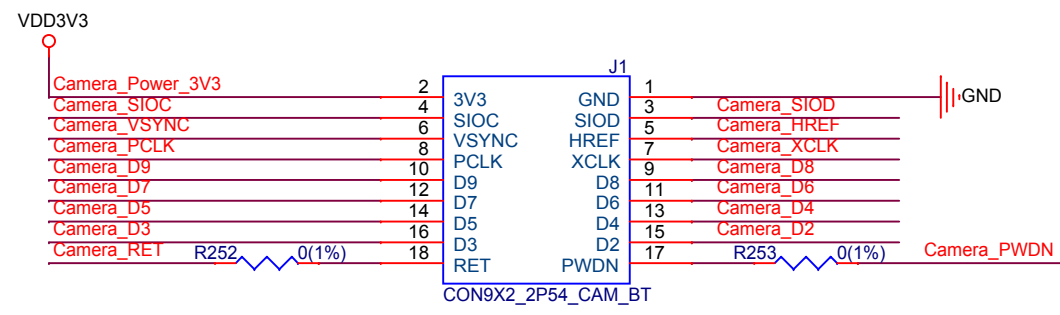


Leave Blank

ESPRESSIF		
乐鑫科技(上海)股份有限公司		
Title ESP-LYRAP-CAM		
Size	Document Number	Rev
C	01_DesignBlock	V1.0
Date: Monday, March 02, 2020 Sheet 1 of 2		



Note:
1. Use ETA5050-ADJ for smaller output down to 1.0V.

ESPRESSIF

乐鑫信息科技(上海)股份有限公司

Title: ESP-LYRAP-CAM

Size	Document Number	Rev
C	02_ESP-LYRAP-CAM	V1.0

Date: Monday, March 02, 2020 Sheet 2 of 2